

TOOL HOLDER SYSTEM

SHRINK FIT

series



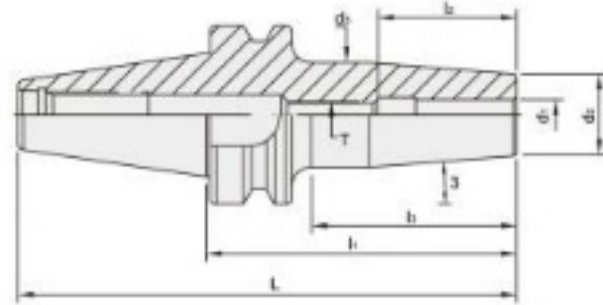


ห้างหุ้นส่วนจำกัด เลิศไพบุณย์ สตีล Lert Piboon Steel Ltd., Part.

SBT / SFC



T W PAT NO. M284478
J P PAT NO. 3134091
T R PAT NO. TR200703317Y
D E PAT NO. N. 2020070065949

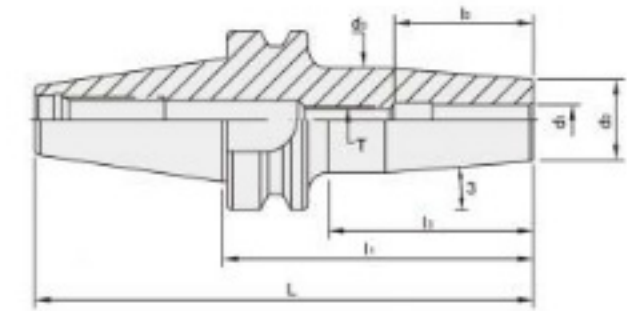


- High rigidity.
- T.I.R. : within 5 μ .
- Slim design.
- Easy handling.
- Every tool holder reaches the standard of G2.5 25,000 rpm, without an inspection report.
- The balancing grade and revolution can be done according to customer's request but the additional charge is needed.

SBT / SFC



T W PAT NO. M284478
J P PAT NO. 3134091
T R PAT NO. TR200703317Y
D E PAT NO. N. 2020070065949

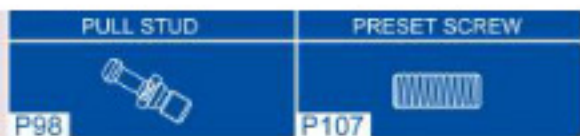


- High rigidity.
- T.I.R. : within 5 μ .
- Slim design.
- Easy handling.
- Every tool holder reaches the standard of G2.5 25,000 rpm, without an inspection report.
- The balancing grade and revolution can be done according to customer's request but the additional charge is needed.

INCHES

MODEL NO.	TYPE $d_1 - l_1$	L	l_2	l_3	d_2	d_3	T	WEIGHT (KGS)
25.651.53.315	SBT30 x SFC3/16" - 3.15"	5.06	0.79	1.91	0.43	-	M6 x 1.0P	0.40
25.651.54.315	SBT30 x SFC1/4" - 3.15"		1.42	1.81	0.71	1.06	M5 x 0.8P	0.40
25.651.55.315	SBT30 x SFC5/16" - 3.15"		1.85	1.85	0.79	1.06	M6 x 1.0P	0.42
25.651.56.315	SBT30 x SFC3/8" - 3.15"		1.53	1.83	0.94	1.26	M8 x 1.25P	0.44
25.651.58.315	SBT30 x SFC1/2" - 3.15"		1.85	1.87	1.1	1.34	M10 x 1.5P	0.45
25.651.64.354	SBT30 x SFC3/4" - 3.54"		5.45	1.97	2.56	1.26	M16 x 2.0P	0.50
25.651.68.394	SBT30 x SFC1" - 3.94"	5.85	2.04	2.66	1.42	1.65	M20 x 2.0P	0.70
26.651.53.354	SBT40 x SFC3/16" - 3.54"	6.12	0.79	2.11	0.43	-	M6 x 1.0P	0.09
26.651.54.354	SBT40 x SFC1/4" - 3.54"		1.42	2.04	0.71	1.02	M5 x 0.8P	1.00
26.651.55.354	SBT40 x SFC5/16" - 3.54"		2.11	2.11	0.79	1.02	M6 x 1.0P	1.10
26.651.56.354	SBT40 x SFC3/8" - 3.54"		1.53	2.11	0.94	1.26	M8 x 1.25P	1.10
26.651.58.354	SBT40 x SFC1/2" - 3.54"		1.85	2.28	1.1	1.34	M10 x 1.5P	1.20
26.651.64.354	SBT40 x SFC3/4" - 3.54"		1.97	2.28	1.26	1.34	M16 x 2.0P	1.20
26.651.68.394	SBT40 x SFC1" - 3.94"	6.51	2.04	2.83	1.42	1.65	M20 x 2.0P	1.30
27.651.53.354	SBT50 x SFC3/16" - 3.54"	7.55	0.79	1.71	0.43	-	M6 x 1.0P	2.90
27.651.54.354	SBT50 x SFC1/4" - 3.54"		1.42	1.67	0.71	0.88	M5 x 0.8P	2.90
27.651.55.354	SBT50 x SFC5/16" - 3.54"		1.62	1.62	0.79	1.02	M6 x 1.0P	3.00
27.651.56.354	SBT50 x SFC3/8" - 3.54"		1.53	1.67	0.94	1.12	M8 x 1.25P	3.00
27.651.58.354	SBT50 x SFC1/2" - 3.54"		1.85	1.62	1.1	1.34	M10 x 1.5P	3.00
27.651.64.354	SBT50 x SFC3/4" - 3.54"		1.97	1.85	1.26	1.34	M16 x 2.0P	3.00
27.651.68.394	SBT50 x SFC1" - 3.94"	7.94	2.04	2.24	1.79	1.93	M20 x 2.0P	3.20

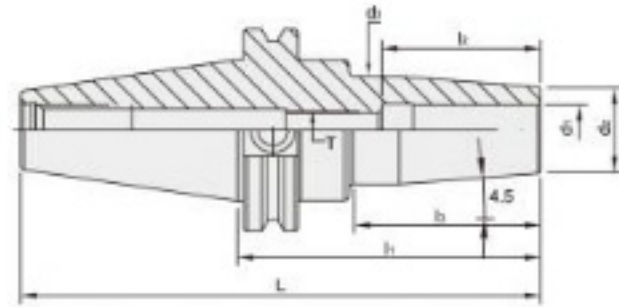
MODEL NO.	TYPE $d_1 - l_1$	L	l_2	l_3	d_2	d_3	T	WEIGHT (KGS)
25.651.04.080	SBT30 x SFC4 - 80	128.4	20	49	10	15	M6 x 1.0P	0.40
25.651.05.080	SBT30 x SFC5 - 80				16	19	M5 x 0.8P	0.42
25.651.06.080	SBT30 x SFC6 - 80				21	26	M6 x 1.0P	0.44
25.651.08.080	SBT30 x SFC8 - 80						M8 x 1.25P	0.45
25.651.10.080	SBT30 x SFC10 - 80		42	53	24	29	M10 x 1.5P	0.50
25.651.12.080	SBT30 x SFC12 - 80						M10 x 1.5P	0.52
25.651.14.080	SBT30 x SFC14 - 80		47	53	24	29	M10 x 1.5P	0.52
25.651.16.080	SBT30 x SFC16 - 80						M12 x 1.75P	0.54
25.651.18.090	SBT30 x SFC18 - 90	138.4	50	55	27	32	M12 x 1.75P	0.56
25.651.20.090	SBT30 x SFC20 - 90		52	66	33	38	M16 x 2.0P	0.58
25.651.25.100	SBT30 x SFC25 - 100	148.4	58	67	44	49	M20 x 2.0P	0.60
26.651.04.090	SBT40 x SFC4 - 90	155.4	20	54	10	-	M6 x 1.0P	1.00
26.651.05.090	SBT40 x SFC5 - 90				16	19	M5 x 0.8P	1.10
26.651.06.090	SBT40 x SFC6 - 90				21	26	M6 x 1.0P	1.10
26.651.08.090	SBT40 x SFC8 - 90						M8 x 1.25P	1.10
26.651.10.090	SBT40 x SFC10 - 90		42	58	24	29	M10 x 1.5P	1.10
26.651.12.090	SBT40 x SFC12 - 90						M10 x 1.5P	1.20
26.651.14.090	SBT40 x SFC14 - 90		47	58	27	32	M12 x 1.75P	1.20
26.651.16.090	SBT40 x SFC16 - 90						M12 x 1.75P	1.30
26.651.18.100	SBT40 x SFC18 - 100	165.4	50	68	33	38	M16 x 2.0P	1.40
26.651.20.100	SBT40 x SFC20 - 100		52	68	33	38	M16 x 2.0P	1.40
26.651.25.100	SBT40 x SFC25 - 100	58	71	44	49	M20 x 2.0P	1.70	
26.651.32.100	SBT40 x SFC32 - 100	58	71	44	49	M20 x 2.0P	1.70	
27.651.04.100	SBT50 x SFC4 - 100	201.8	20	53	10	15.5	M6 x 1.0P	1.00
27.651.05.100	SBT50 x SFC5 - 100				16	21	M5 x 0.8P	3.92
27.651.06.100	SBT50 x SFC6 - 100				21	26	M6 x 1.0P	3.92
27.651.08.100	SBT50 x SFC8 - 100						M8 x 1.25P	3.90
27.651.10.100	SBT50 x SFC10 - 100		42	58	24	29	M10 x 1.5P	3.94
27.651.12.100	SBT50 x SFC12 - 100						M10 x 1.5P	4.02
27.651.14.100	SBT50 x SFC14 - 100		47	57	27	32	M12 x 1.75P	3.96
27.651.16.100	SBT50 x SFC16 - 100						M12 x 1.75P	4.18
27.651.18.110	SBT50 x SFC18 - 110	211.8	50	62	33	38	M16 x 2.0P	4.14
27.651.20.110	SBT50 x SFC20 - 110		52	67	44	49	M20 x 2.0P	4.46
27.651.25.110	SBT50 x SFC25 - 110	58	67	44	49	M20 x 2.0P	4.46	
27.651.32.110	SBT50 x SFC32 - 110	58	67	44	49	M20 x 2.0P	4.30	





ทางหุ้นส่วนจำกัด เลิศไพบุณ สตีล Lert Piboon Steel Ltd., Part.

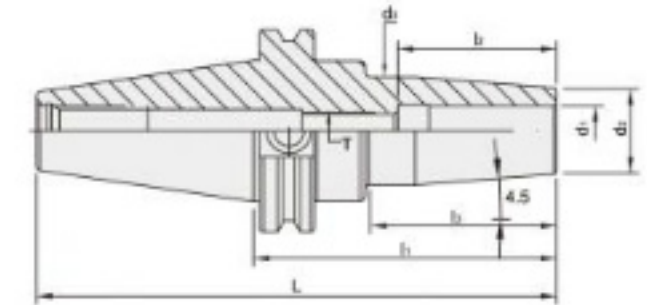
SCAT / SFC



- High rigidity.
- T.I.R. : within 5 μ .
- Slim design.
- Easy handling.
- Every tool holder reaches the standard of G2.5 25,000 rpm, without an inspection report.
- The balancing grade and revolution can be done according to customer's request but the additional charge is needed.

T.W. PAT NO. M294478
J.P. PAT NO. 3134091
T.R. PAT NO. TR200703317Y
D.E. PAT NO. N. 202007006594.9

SCAT / SFC



- High rigidity.
- T.I.R. : within 5 μ .
- Slim design.
- Easy handling.
- Every tool holder reaches the standard of G2.5 25,000 rpm, without an inspection report.
- The balancing grade and revolution can be done according to customer's request but the additional charge is needed.

T.W. PAT NO. M294478
J.P. PAT NO. 3134091
T.R. PAT NO. TR200703317Y
D.E. PAT NO. N. 202007006594.9

INCHES

MODEL NO.	TYPE d ₁ - l ₁	L	l ₂	l ₃	d ₂	d ₃	T	WEIGHT (KGS)
43.651.52.350	SCAT40 x SFC1/8" - 3.5"	6.187	0.79	1.76	0.36	0.64	M6 x 1.0P	1.0
43.651.52.500	SCAT40 x SFC1/8" - 5"	7.687		3.56		0.87	-	1.1
43.651.53.350	SCAT40 x SFC3/16" - 3.5"	6.187	1.42	1.76	0.43	0.7	M6 x 1.0P	1.1
43.651.53.500	SCAT40 x SFC3/16" - 5"	7.687		3.23		0.71	-	1.2
43.651.54.300	SCAT40 x SFC1/4" - 3"	5.687	1.42	1.56	0.71	0.95	M5 x 0.8P	1.2
43.651.54.350	SCAT40 x SFC1/4" - 3.5"	6.187		2		1.06		1.2
43.651.54.500	SCAT40 x SFC1/4" - 5"	7.687		3.12		1.38		1.4
43.651.54.600	SCAT40 x SFC1/4" - 6"	8.687		4.44		1.38		1.4
43.651.55.350	SCAT40 x SFC5/16" - 3.5"	6.187	1.42	2.06	0.78	1.06	M6 x 1.0P	1.2
43.651.55.500	SCAT40 x SFC5/16" - 5"	7.687		3.12		1.06		1.4
43.651.56.300	SCAT40 x SFC3/8" - 3"	5.687	1.53	1.56	0.94	1.18	M8 x 1.25P	1.4
43.651.56.375	SCAT40 x SFC3/8" - 3.75"	6.437		2.31		1.26		1.4
43.651.56.500	SCAT40 x SFC3/8" - 5"	7.687		3.28		1.38		1.5
43.651.56.600	SCAT40 x SFC3/8" - 6"	8.687		4.44		1.38		1.6
43.651.58.300	SCAT40 x SFC1/2" - 3"	5.687	1.85	1.56	1.1	1.34	M10 x 1.5P	1.6
43.651.58.375	SCAT40 x SFC1/2" - 3.75"	6.437		2.31		1.38		1.7
43.651.58.500	SCAT40 x SFC1/2" - 5"	7.687		3.44		1.38		1.8
43.651.58.600	SCAT40 x SFC1/2" - 6"	8.687		4.36		1.38		1.8
43.651.61.375	SCAT40 x SFC5/8" - 3.75"	6.437	1.97	2.17	1.06	1.34	M12 x 1.75P	1.8
43.651.64.300	SCAT40 x SFC3/4" - 3"	5.687	2.04	1.62	1.42	1.65	M16 x 2.0P	1.8
43.651.64.400	SCAT40 x SFC3/4" - 4"	6.687		2.62		1.38		1.9
43.651.64.500	SCAT40 x SFC3/4" - 5"	7.687		3.44		1.38		2.0
43.651.64.600	SCAT40 x SFC3/4" - 6"	8.687		4.44		1.38		2.1
43.651.68.300	SCAT40 x SFC1" - 3"	5.687	2.28	1.47	1.81	2.04	M20 x 2.0P	1.9
43.651.68.400	SCAT40 x SFC1" - 4"	6.687		2.45		2.09		2.0
43.651.68.600	SCAT40 x SFC1" - 6"	8.687		4.37		2.09		2.1
43.651.72.400	SCAT40 x SFC1-1/4" - 4"	6.687		2.45		2.09		2.1

INCHES

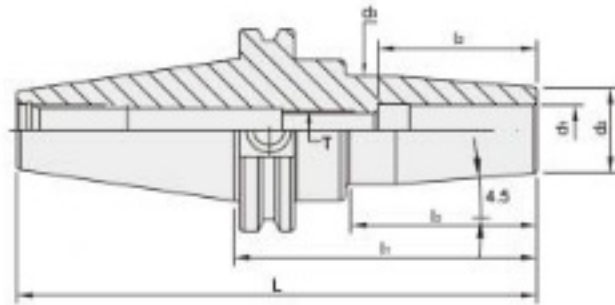
MODEL NO.	TYPE d ₁ - l ₁	L	l ₂	l ₃	d ₂	d ₃	T	WEIGHT (KGS)		
44.651.53.354	SCAT50 x SFC3/16" - 3.54"	7.54	0.79	1.98	0.43	-	M6 x 1.0P	2.9		
44.651.54.354	SCAT50 x SFC1/4" - 3.54"		1.42		0.71	1.02	M5 x 0.8P	3.0		
44.651.55.354	SCAT50 x SFC5/16" - 3.54"	7.94	1.42	2.36	0.78	1.06	M6 x 1.0P	3.0		
44.651.56.394	SCAT50 x SFC3/8" - 3.94"		1.53		0.94	1.26	M8 x 1.25P	3.0		
44.651.58.394	SCAT50 x SFC1/2" - 3.94"	7.94	1.85	2.36	1.1	1.34	M10 x 1.5P	3.0		
44.651.61.394	SCAT50 x SFC5/8" - 3.94"		1.97		1.06	1.34	M12 x 1.75P	3.0		
44.651.64.413	SCAT50 x SFC3/4" - 4.13"	8.13	2.04	2.72	1.42	1.65	M16 x 2.0P	3.2		
44.651.64.600	SCAT50 x SFC3/4" - 6"	10	2.04	3.91				3.5		
44.651.68.413	SCAT50 x SFC1" - 4.13"	8.13	2.28	2.72	1.81	2.09	M20 x 2.0P	3.5		
44.651.68.600	SCAT50 x SFC1" - 6"							10	4.13	3.6
44.651.72.413	SCAT50 x SFC1-1/4" - 4.13"	8.13	2.28	2.64	1.81	2.09	M20 x 2.0P	3.6		
44.651.72.472	SCAT50 x SFC1-1/4" - 4.72"							8.72	3.23	3.7
44.651.72.600	SCAT50 x SFC1-1/4" - 6"							10	4.13	3.8





ทางหุ้นส่วนจำกัด เลิศไพบุณ สตีล Lert Piboon Steel Ltd., Part.

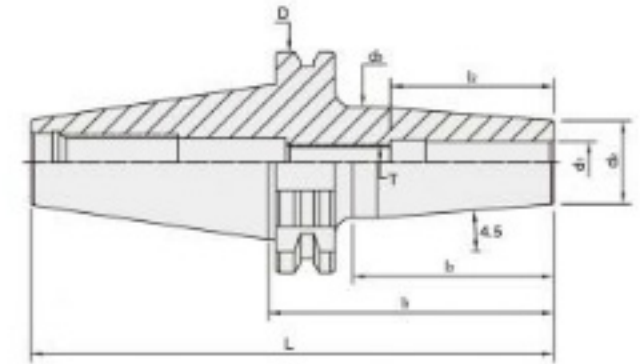
SCAT / SFC



- High rigidity.
- T.I.R. : within 5 μ .
- Slim design.
- Easy handling.
- Every tool holder reaches the standard of G2.5 25,000 rpm, without an inspection report.
- The balancing grade and revolution can be done according to customer's request but the additional charge is needed.

T.W. PAT NO. M294478
J.P. PAT NO. 3134091
T.R. PAT NO. TR200703317Y
D.E. PAT NO. N. 2020070065949

SDAT / SFC



- High rigidity.
- T.I.R. : within 5 μ .
- Slim design.
- Easy handling.
- Every tool holder reaches the standard of G2.5 25,000 rpm, without an inspection report.
- The balancing grade and revolution can be done according to customer's request but the additional charge is needed.

T.W. PAT NO. M294478
J.P. PAT NO. 3134091
T.R. PAT NO. TR200703317Y
D.E. PAT NO. N. 2020070065949

MODEL NO.	TYPE d ₁ - l ₁	L	l ₂	l ₃	d ₂	d ₃	T	WEIGHT (KGS)	
43.651.03.100	SCAT40 x SFC3 - 100	168.249	18	55	9	17	M6 x 1.0P	1.0	
43.651.04.100	SCAT40 x SFC4 - 100	168.249	20		10	18		1.0	
43.651.05.100	SCAT40 x SFC5 - 100	168.249	20		16	22		1.0	
43.651.06.100	SCAT40 x SFC6 - 100	168.249	36	54	21	27	M5 x 0.8P	1.0	
43.651.06.150	SCAT40 x SFC6 - 150	218.249		104			1.1		
43.651.08.100	SCAT40 x SFC8 - 100	168.249		54			M6 x 1.0P	1.1	
43.651.08.150	SCAT40 x SFC8 - 150	218.249	104	1.2					
43.651.10.100	SCAT40 x SFC10 - 100	168.249	42	56	24	32	M8 x 1.25P	1.4	
43.651.10.150	SCAT40 x SFC10 - 150	218.249		107				1.4	
43.651.12.100	SCAT40 x SFC12 - 100	168.249		59				33	1.6
43.651.12.150	SCAT40 x SFC12 - 150	218.249	47	104	27	34	M10 x 1.5P	1.6	
43.651.14.95.3	SCAT40 x SFC14 - 95.3	161.749		59				32	1.7
43.651.14.152.4	SCAT40 x SFC14 - 152.4	220.649		112				1.9	
43.651.16.95.3	SCAT40 x SFC16 - 95.3	161.749	50	54	33	42	M12 x 1.75P	1.9	
43.651.16.160	SCAT40 x SFC16 - 160	228.249		59				2.0	
43.651.18.100	SCAT40 x SFC18 - 100	168.249		63				2.1	
43.651.20.080	SCAT40 x SFC20 - 80	148.249	52	42	33	39	M16 x 2.0P	2.2	
44.651.06.100	SCAT50 x SFC6 - 100	201.8	36	62	21	27	M5 x 0.8P	2.9	
44.651.06.150	SCAT50 x SFC6 - 150	251.8		101				3.0	
44.651.08.100	SCAT50 x SFC8 - 100	201.8		60				M6 x 1.0P	3.0
44.651.08.150	SCAT50 x SFC8 - 150	251.8	101	3.1					
44.651.10.100	SCAT50 x SFC10 - 100	201.8	42	60	24	32	M8 x 1.25P	3.1	
44.651.10.150	SCAT50 x SFC10 - 150	251.8		91				3.2	
44.651.12.100	SCAT50 x SFC12 - 100	201.8		62				3.2	
44.651.12.150	SCAT50 x SFC12 - 150	251.8	47	91	27	34	M10 x 1.5P	3.3	
44.651.14.100	SCAT50 x SFC14 - 100	201.8		62				3.3	
44.651.14.150	SCAT50 x SFC14 - 150	251.8		92				3.4	
44.651.16.100	SCAT50 x SFC16 - 100	201.8	50	62	33	42	M12 x 1.75P	3.4	
44.651.16.160	SCAT50 x SFC16 - 160	261.8		102				3.5	
44.651.18.100	SCAT50 x SFC18 - 100	201.8		62				3.5	
44.651.20.080	SCAT50 x SFC20 - 80	181.8	52	42	33	42	M16 x 2.0P	3.5	
44.651.25.100	SCAT50 x SFC25 - 100	201.8	58	62	44	53	M20 x 2.0P	3.5	
44.651.32.100	SCAT50 x SFC32 - 100	201.8						3.5	

MODEL NO.	TYPE d ₁ - l ₁	L	l ₂	l ₃	d ₂	d ₃	T	WEIGHT (KGS)		
66.651.03.090	SDAT40 x SFC3 - 90	158.4	18	65	9	-	M6 x 1.0P	0.90		
66.651.04.090	SDAT40 x SFC4 - 90		20		10			0.90		
66.651.05.090	SDAT40 x SFC5 - 90		20		16			22	0.90	
66.651.06.090	SDAT40 x SFC6 - 90		36	60	21	27	M5 x 0.8P	1.00		
66.651.08.090	SDAT40 x SFC8 - 90							1.1		
66.651.10.090	SDAT40 x SFC10 - 90							1.2		
66.651.12.090	SDAT40 x SFC12 - 90		42	65	24	32	M8 x 1.25P	1.10		
66.651.14.090	SDAT40 x SFC14 - 90		47					24	32	1.00
66.651.16.090	SDAT40 x SFC16 - 90		47					27	34	1.10
66.651.18.100	SDAT40 x SFC18 - 100		50	79	33	42	M12 x 1.75P	1.10		
66.651.20.100	SDAT40 x SFC20 - 100	50	33					42	1.20	
66.651.25.100	SDAT40 x SFC25 - 100	52	33					42	1.35	
66.651.32.100	SDAT40 x SFC32 - 100	58	60	44	53	M20 x 2.0P	1.50			
67.651.03.100	SDAT50 x SFC3 - 100	201.75	18	71	9	-	M6 x 1.0P	2.6		
67.651.04.100	SDAT50 x SFC4 - 100		20		10			2.6		
67.651.05.100	SDAT50 x SFC5 - 100		20		16			22	2.6	
67.651.06.100	SDAT50 x SFC6 - 100		36	70	21	27	M5 x 0.8P	2.9		
67.651.08.100	SDAT50 x SFC8 - 100							3.1		
67.651.10.100	SDAT50 x SFC10 - 100							3.2		
67.651.12.100	SDAT50 x SFC12 - 100		42	70	24	32	M8 x 1.25P	2.9		
67.651.14.100	SDAT50 x SFC14 - 100		47					24	32	3.0
67.651.16.100	SDAT50 x SFC16 - 100		47					27	34	3.0
67.651.18.100	SDAT50 x SFC18 - 100		50	70	27	34	M12 x 1.75P	3.0		
67.651.20.100	SDAT50 x SFC20 - 100	50	27					34	3.0	
67.651.25.110	SDAT50 x SFC25 - 110	52	33					42	3.0	
67.651.32.110	SDAT50 x SFC32 - 110	58	85	44	53	M20 x 2.0P	3.6			

PULL STUD PRESET SCREW



P98 P107

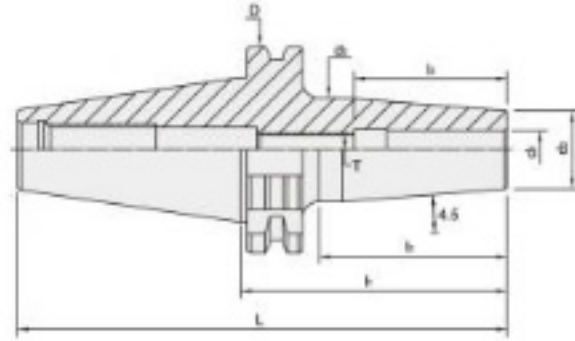
PULL STUD PRESET SCREW



P98 P107



SDAT / SFC



- High rigidity.
- T.I.R. : within 5 μ .
- Slim design.
- Easy handling.
- Every tool holder reaches the standard of G2.5 25,000 rpm, without an inspection report.
- The balancing grade and revolution can be done according to customer's request but the additional charge is needed.

INCHES

MODEL NO.	TYPE d ₁ - l ₁	L	l ₂	l ₃	d ₂	d ₃	T	WEIGHT (KGS)
66.651.53.354	SDAT40 x SFC3/16" - 3.54"	6.24	0.79	2.42	0.43	-	M6 x 1.0P	0.90
66.651.54.354	SDAT40 x SFC1/4" - 3.54"		1.42		0.71	1.06	M5 x 0.8P	1.00
66.651.55.354	SDAT40 x SFC5/16" - 3.54"		0.79		0.94	1.26	M6 x 1.0P	1.00
66.651.56.354	SDAT40 x SFC3/8" - 3.54"		1.53		0.94	1.26	M8 x 1.25P	1.10
66.651.58.354	SDAT40 x SFC1/2" - 3.54"		1.85		1.1	1.34	M10 x 1.5P	1.10
66.651.64.354	SDAT40 x SFC3/4" - 3.54"		1.97		1.42	1.65	M16 x 2.0P	1.35
66.651.68.354	SDAT40 x SFC1" - 3.54"		2.04		1.42	1.65	M20 x 2.0P	1.50
67.651.53.394	SDAT50 x SFC3/16" - 3.94"	7.94	0.79	3	0.43	-	M6 x 1.0P	2.60
67.651.54.394	SDAT50 x SFC1/4" - 3.94"		1.42		0.71	1.06	M5 x 0.8P	2.90
67.651.55.394	SDAT50 x SFC5/16" - 3.94"		0.79		0.79	1.06	M6 x 1.0P	2.90
67.651.56.394	SDAT50 x SFC3/8" - 3.94"		1.53		0.94	1.26	M8 x 1.25P	3.00
67.651.58.394	SDAT50 x SFC1/2" - 3.94"		1.85		1.1	1.34	M10 x 1.5P	3.20
67.651.64.394	SDAT50 x SFC3/4" - 3.94"		1.97		1.42	1.65	M16 x 2.0P	3.30
67.651.68.394	SDAT50 x SFC1" - 3.94"		2.04		1.42	1.65	M20 x 2.0P	3.60