

TOOL HOLDER SYSTEM

BORING

series



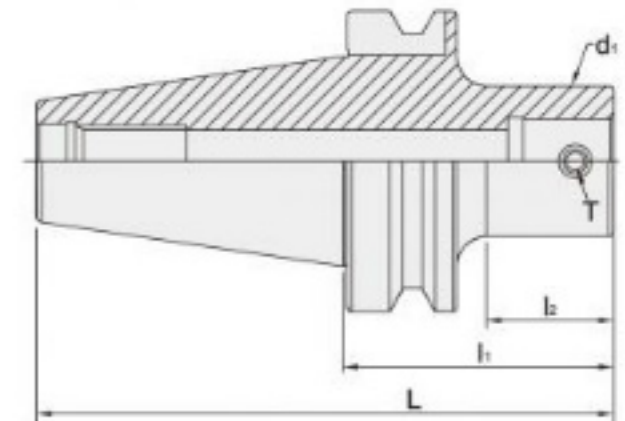


ห้างหุ้นส่วนจำกัด เลิศไพบุณย์ สตีล Lert Piboon Steel Ltd., Part.



SBT/SCK
SCAT/SCK
SDAT/SCK

SBT / SCK



- Can be used with SYIC-17550 Extension Spacer, more convenient for machining.
- Internal tolerance is H6.



SYIC-17550
EXTENSION SPACER



SYIC-17380
FINISH BORING HEAD

SYIC-17600
ROUGHING TWIN
ADJUSTMENT
BORING HEAD

SYIC-19500
SUPER MICRON
EXCHANGEABLE
FINISH BORING HEAD

SYIC-19520
SBJ BORING HEAD
FOR FINISHING



SYIC-17670
BORING HEAD

MODEL NO.	TYPE - I ₁	L	l ₂	d ₁	T	WEIGHT (KGS)
25.650.02.37.5	SBT30 x SCK2 - 37.5	85.9	12.5	23.5	M5 x 0.8P	0.40
25.650.02.82.5	SBT30 x SCK2 - 82.5	130.9	57.5			0.60
25.650.03.039	SBT30 x SCK3 - 39	87.4	13	31	M6 x 1.0P	0.50
25.650.03.079	SBT30 x SCK3 - 79	127.4	53			0.70
25.650.04.038	SBT30 x SCK4 - 38	86.4	14	39	M8 x 1.25P	0.50
25.650.04.073	SBT30 x SCK4 - 73	121.4	49			0.80
25.650.05.063	SBT30 x SCK5 - 63	111.4	40.5	50	M10 x 1.5P	0.85
25.650.06.064	SBT30 x SCK6 - 64	112.4	41.5			1.35
26.650.02.42.5	SBT40 x SCK2 - 42.5	107.9	12.5	23.5	M5 x 0.8P	1.10
26.650.02.82.5	SBT40 x SCK2 - 82.5	147.9	52.5			1.25
26.650.03.044	SBT40 x SCK3 - 44	109.4	13	31	M6 x 1.0P	1.15
26.650.03.094	SBT40 x SCK3 - 94	159.4	63			1.35
26.650.04.043	SBT40 x SCK4 - 43	108.4	14	39	M8 x 1.25P	1.25
26.650.04.088	SBT40 x SCK4 - 88	153.4	56			1.55
26.650.05.048	SBT40 x SCK5 - 48	113.4	19	50	M10 x 1.5P	1.25
26.650.05.078	SBT40 x SCK5 - 78	143.4	46			1.65
26.650.06.064	SBT40 x SCK6 - 64	129.4	36.5	63	M12 x 1.75P	1.65

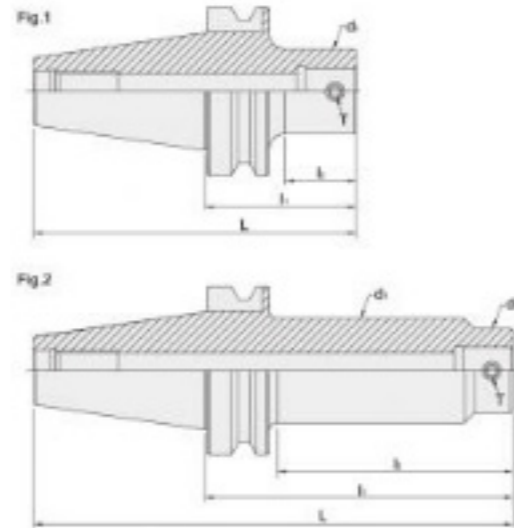


- Modular design, convenient for usage.
- Can use Extension Spacer for adding length.



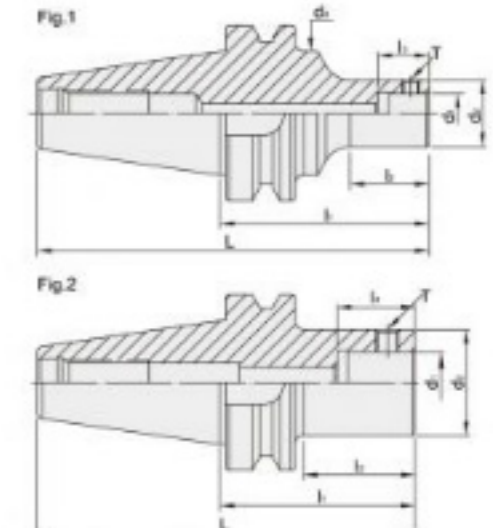
ห้างหุ้นส่วนจำกัด เลิศไพบุณ สตีล Lert Piboon Steel Ltd., Part.

SBT / SCK



- Can be used with SYIC-17550 Extension Spacer, more convenient for machining.
- Internal tolerance is H6.

SBT / MCK



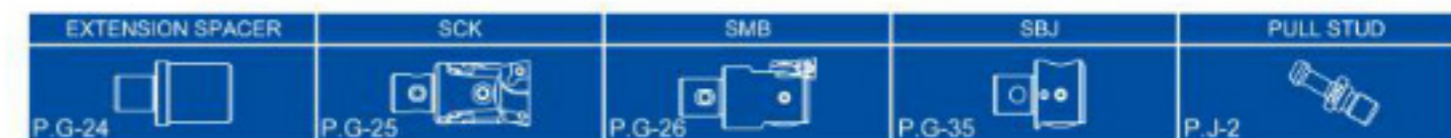
- Extension spacers are applicable, more convenient for boring.
- Internal tolerance is H6.
- For center coolant (DIN 69871-AD).
- The pre-balance can reach G6.3 5,000 rpm, without an inspection report.
- The balancing grade and revolution can be done according to customer's request but the additional charge is needed.

MODEL NO.	TYPE - l ₁	L	l ₂	d ₁	T	Fig	WEIGHT (KGS)
27.650.02.112.5	SBT50 x SCK2 - 112.5	214.3	71.5	23.5	M5x0.8P	1	4.10
27.650.03.124	SBT50 x SCK3 - 124	225.8	82	31	M6x1.0P		4.35
27.650.04.118	SBT50 x SCK4 - 118	219.8	75	39	M8x1.25P		4.55
27.650.04.178	SBT50 x SCK4 - 178	279.8	135				5.00
27.650.05.108	SBT50 x SCK5 - 108	209.8	65	50	M10x1.5P		4.75
27.650.05.183	SBT50 x SCK5 - 183	284.8	140				5.95
27.650.05.228	SBT50 x SCK5 - 228	329.8	185				6.55
27.650.06.094	SBT50 x SCK6 - 94	195.8	51	63	M12x1.75P		4.85
27.650.06.169	SBT50 x SCK6 - 169	270.8	126				6.75
27.650.06.229	SBT50 x SCK6 - 229	330.8	186				8.25
27.650.07.180	SBT50 x SCK7 - 180	281.8	139	90	M20x1.5P		5.00
27.650.07.330	SBT50 x SCK7 - 330	431.8	289				12.5

• EXTENSION TYPE

MODEL NO.	TYPE - l ₁	L	l ₂	d ₁	d ₂	T	Fig	WEIGHT (KGS)
27.681.04.193	SBT50 x SCK4 - 193BG	294.8	150	48	39	M8x1.25P	2	5.5
27.681.04.238	SBT50 x SCK4 - 238BG	339.8	195					6.1
27.681.05.243	SBT50 x SCK5 - 243BG	344.8	200	62	50	M10x1.5P		8.1
27.681.05.303	SBT50 x SCK5 - 303BG	404.8	260					9.5
27.681.06.259	SBT50 x SCK6 - 259BG	360.8	216	72	63	M12x1.75P		10.3
27.681.06.314	SBT50 x SCK6 - 314BG	415.8	271					12.0
27.681.06.289	SBT50 x SCK6 - 289BG	390.8	246					12.9
27.681.06.349	SBT50 x SCK6 - 349BG	450.8	306	80	15.2			

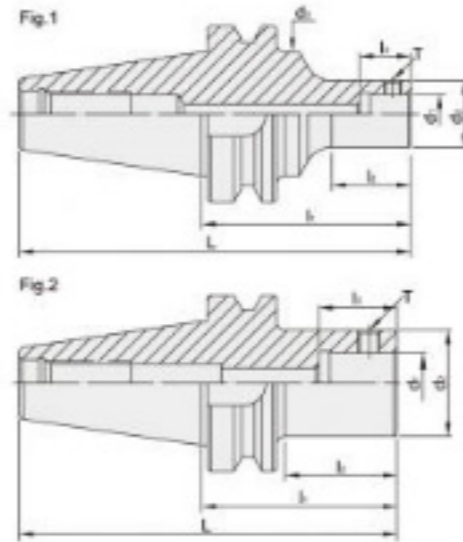
MODEL NO.	TYPE - l ₁	L	l ₂	l ₃	d ₁	d ₂	d ₃	Fig	T	WEIGHT (KGS)					
25.487.01.055	SBT30 x MCK1 - 55	103.4	28	18	11	19	-	2	M4 x 0.5P	0.70					
25.487.01.070	SBT30 x MCK1 - 70	118.4	43							0.80					
25.487.02.060	SBT30 x MCK2 - 60	108.4	33	18.5	14	23.5			-	M5 x 0.5P	0.80				
25.487.02.075	SBT30 x MCK2 - 75	123.4	48								0.80				
25.487.02.080	SBT30 x MCK2 - 80	128.4	53								0.85				
25.487.03.050	SBT30 x MCK3 - 50	98.4	26	24	18	31			-	M6 x 0.75P	0.90				
25.487.03.080	SBT30 x MCK3 - 80	128.4	56								0.95				
25.487.04.060	SBT30 x MCK4 - 60	108.4	37	22	22	39				-	M8 x 0.75P	1.00			
25.487.04.070	SBT30 x MCK4 - 70	118.4	47									1.00			
25.487.05.070	SBT30 x MCK5 - 70	118.4	47	35	28	50					-	M10 x 1.0P	1.10		
25.487.06.060	SBT30 x MCK6 - 60	108.4	38										1.20		
26.487.01.100	SBT40 x MCK1 - 100	165.4	51	18	11	19						44.45	1	M4 x 0.5P	1.20
26.487.01.115	SBT40 x MCK1 - 115	180.4	66											1.30	
26.487.02.075	SBT40 x MCK2 - 75	140.4	28	18.5	14	23.5							-	M5 x 0.5P	1.14
26.487.02.085	SBT40 x MCK2 - 85	150.4	38				1.20								
26.487.02.115	SBT40 x MCK2 - 115	180.4	68				1.25								
26.487.03.080	SBT40 x MCK3 - 80	145.4	48	24	18	31	-	M6 x 0.75P						1.22	
26.487.03.095	SBT40 x MCK3 - 95	160.4	63											1.24	
26.487.03.125	SBT40 x MCK3 - 125	190.4	93											1.30	
26.487.03.155	SBT40 x MCK3 - 155	220.4	123	28	22	39		-	M8 x 0.75P					1.40	
26.487.04.070	SBT40 x MCK4 - 70	135.4	40											1.50	
26.487.04.100	SBT40 x MCK4 - 100	165.4	70							1.56					
26.487.04.130	SBT40 x MCK4 - 130	195.4	98	35	28	50			-	M10 x 1.0P				1.60	
26.487.04.175	SBT40 x MCK4 - 175	240.4	143								1.70				
26.487.05.060	SBT40 x MCK5 - 60	125.4	30								1.30				
26.487.05.080	SBT40 x MCK5 - 80	145.4	51	42	36	63				-	M12 x 1.0P	1.60			
26.487.05.125	SBT40 x MCK5 - 125	190.4	96									1.70			
26.487.05.175	SBT40 x MCK5 - 175	240.4	146									1.80			
26.487.06.055	SBT40 x MCK6 - 55	120.4	28	42	36	63					-	M12 x 1.0P	2.15		
26.487.06.065	SBT40 x MCK6 - 65	130.4	38										2.20		
26.487.06.115	SBT40 x MCK6 - 115	170.4	88				2.30								
26.487.06.165	SBT40 x MCK6 - 165	230.4	138	2.50											





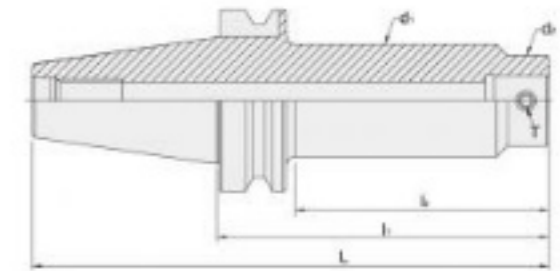
ทางศูนย์ส่วนจำกัด เลิศไพบุณ สตีล Lert Piboon Steel Ltd., Part.

SBT / MCK



- Extension spacers are applicable, more convenient for boring.
- Internal tolerance is H6.
- For center coolant (DIN 69871-AD).
- The pre-balance can reach G6.3 5,000 rpm, without an inspection report.
- The balancing grade and revolution can be done according to customer's request but the additional charge is needed.

SBT / MCK



- Can be used with SYIC-17550 Extension Spacer, more convenient for machining.
- Internal tolerance is H6.

MODEL NO.	TYPE - l ₁	L	l ₂	l ₃	d ₁	d ₂	d ₃	Fig	T	WEIGHT (KGS)	
27.487.01.105	SBT50 x MCK1 - 105	206.8	38	18	11	19	69.85	1	M4 x 0.5P	3.90	
27.487.01.115	SBT50 x MCK1 - 115	216.8	48							4.00	
27.487.01.145	SBT50 x MCK1 - 145	246.8	97							4.10	
27.487.02.105	SBT50 x MCK2 - 105	206.8	39	18.5	14	23.5			2	M5 x 0.5P	4.00
27.487.02.135	SBT50 x MCK2 - 135	236.8	67								4.10
27.487.02.140	SBT50 x MCK2 - 140	241.8	72								4.20
27.487.03.110	SBT50 x MCK3 - 110	211.8	62	24	18	31	3	M6 x 0.75P		4.40	
27.487.03.140	SBT50 x MCK3 - 140	241.8	92							4.60	
27.487.03.155	SBT50 x MCK3 - 155	256.8	107							4.80	
27.487.04.100	SBT50 x MCK4 - 100	201.8	52	28	22	39		4	M8 x 0.75P	4.80	
27.487.04.160	SBT50 x MCK4 - 160	261.8	112							5.20	
27.487.04.175	SBT50 x MCK4 - 175	276.8	127							2.30	
27.487.04.205	SBT50 x MCK4 - 205	306.8	205	35	28	50	5		M10 x 1.0P	5.40	
27.487.05.090	SBT50 x MCK5 - 90	191.8	42							5.40	
27.487.05.105	SBT50 x MCK5 - 105	206.8	57							5.60	
27.487.05.165	SBT50 x MCK5 - 165	266.8	117					6.20			
27.487.05.210	SBT50 x MCK5 - 210	311.8	162					6.40			
27.487.05.240	SBT50 x MCK5 - 240	341.8	192					6.60			
27.487.05.300	SBT50 x MCK5 - 300	401.8	252	42	36	63	6	M12 x 1.0P	6.80		
27.487.06.085	SBT50 x MCK6 - 85	186.8	37						5.90		
27.487.06.155	SBT50 x MCK6 - 155	256.8	107						6.50		
27.487.06.215	SBT50 x MCK6 - 215	316.8	167	6.90							

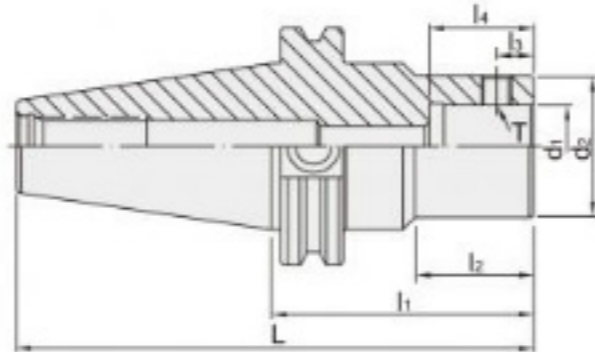
MODEL NO.	TYPE - l ₁	L	l ₂	d ₁	d ₂	T	WEIGHT (KGS)
27.487.04.193	SBT50 x MCK4 - 193BG	340	240	48	39	M8 x 0.75P	5.5
27.487.04.238	SBT50 x MCK4 - 238BG	385	285				6.1
27.487.05.243	SBT50 x MCK5 - 243BG	400	300	62	50	M10 x 1.0P	8.1
27.487.05.303	SBT50 x MCK5 - 303BG	460	360				9.5
27.487.06.259	SBT50 x MCK6 - 259BG	430	330	72	63	M12 x 1.0P	10.3
27.487.06.314	SBT50 x MCK6 - 314BG	485	385				12.0
27.487.06.289	SBT50 x MCK6 - 289BG	460	360				12.9
27.487.06.349	SBT50 x MCK6 - 349BG	520	420	80			15.2





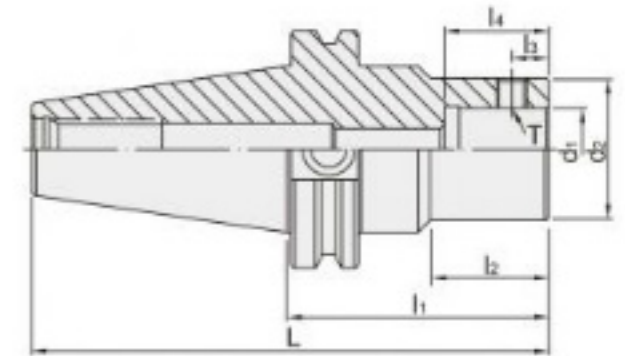
ห้างหุ้นส่วนจำกัด เลิศไพบุณ สตีล Lert Piboon Steel Ltd., Part.

SCAT / SCK



- Can be used with SYIC-17550 Extension Spacer, more convenient for machining.
- Internal tolerance is H6.

SCAT / MCK



- The pre-balance can reach G6.3 5,000 rpm, without an inspection report.
- The balancing grade and revolution can be done according to customer's request but the additional charge is needed.

INCHES

MODEL NO.	TYPE - l ₁	L	l ₂	l ₃	l ₄	d ₁	d ₂	T	WEIGHT (KGS)
43.650.02.300	SCAT40 x SCK2 - 3"	5.687	1.39	0.261	0.728	0.551	0.925	M5 x 0.8P	1.30
43.650.02.435	SCAT40 x SCK2 - 4.35"	7.037	2.626						1.35
43.650.03.300	SCAT40 x SCK3 - 3"	5.687	1.356	0.315	0.866	0.709	1.22	M6 x 1.0P	1.40
43.650.03.500	SCAT40 x SCK3 - 5"	7.687	3.356						1.45
43.650.04.300	SCAT40 x SCK4 - 3"	5.687	1.515	0.394	0.945	0.866	1.535	M8 x 1.25P	1.50
43.650.04.425	SCAT40 x SCK4 - 4.25"	6.937	2.765						1.55
43.650.05.300	SCAT40 x SCK5 - 3"	5.687	1.513	0.512	1.181	1.102	1.969	M10 x 1.5P	1.60
43.650.05.425	SCAT40 x SCK5 - 4.25"	6.937	2.763						1.65
43.650.06.300	SCAT40 x SCK6 - 3"	5.687	1.622	0.63	1.575	1.417	2.48	M12 x 1.75P	1.70
43.650.06.425	SCAT40 x SCK6 - 4.25"	6.937	2.872						1.75
44.650.02.350	SCAT50 x SCK2 - 3.5"	7.5	1.368	0.261	0.728	0.551	0.925	M5 x 0.8P	3.40
44.650.02.530	SCAT50 x SCK2 - 5.3"	9.3	3.167						3.45
44.650.03.350	SCAT50 x SCK3 - 3.5"	7.5	1.453	0.315	0.866	0.709	1.22	M6 x 1.0P	3.50
44.650.03.550	SCAT50 x SCK3 - 5.5"	9.5	3.453						3.55
44.650.04.350	SCAT50 x SCK4 - 3.5"	7.5	1.544	0.394	0.945	0.866	1.535	M8 x 1.25P	3.60
44.650.04.550	SCAT50 x SCK4 - 5.5"	9.5	3.544						3.65
44.650.05.350	SCAT50 x SCK5 - 3.5"	7.5	1.669	0.512	1.181	1.102	1.969	M10 x 1.5P	3.70
44.650.05.550	SCAT50 x SCK5 - 5.5"	9.5	3.669						3.75
44.650.06.350	SCAT50 x SCK6 - 3.5"	7.5	1.987	0.63	1.575	1.417	2.48	M12 x 1.75P	3.80
44.650.06.550	SCAT50 x SCK6 - 5.5"	9.5	3.987						3.85

INCHES

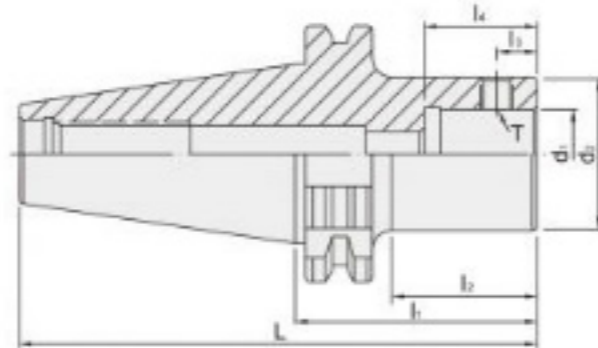
MODEL NO.	TYPE - l ₁	L	l ₂	l ₃	d ₁	d ₂	T	WEIGHT (KGS)
43.487.01.300	SCAT40 x MCK1 - 3"	5.687	1.105	0.59	0.433	0.748	M4 x 0.5P	1.20
43.487.01.375	SCAT40 x MCK1 - 3.75"	6.437	1.856					1.25
43.487.02.300	SCAT40 x MCK2 - 3"	5.687	1.39	0.728	0.551	0.925	M5 x 0.5P	1.30
43.487.02.435	SCAT40 x MCK2 - 4.35"	7.037	2.656					1.35
43.487.03.300	SCAT40 x MCK3 - 3"	5.687	1.356	0.866	0.709	1.22	M6 x 0.75P	1.40
43.487.03.500	SCAT40 x MCK3 - 5"	7.687	3.36					1.45
43.487.04.300	SCAT40 x MCK4 - 3"	5.687	1.515	1.102	0.866	1.535	M8 x 0.75P	1.50
43.487.04.435	SCAT40 x MCK4 - 4.25"	6.937	2.765					1.55
43.487.05.300	SCAT40 x MCK5 - 3"	5.687	2.219	1.181	1.102	1.969	M10 x 1.0P	1.60
43.487.05.425	SCAT40 x MCK5 - 4.25"	6.937	3.469					1.65
43.487.06.300	SCAT40 x MCK6 - 3"	5.687	2.219	1.653	1.417	2.48	M12 x 1.0P	1.70
43.487.06.425	SCAT40 x MCK6 - 4.25"	6.937	3.469					1.75
44.487.01.350	SCAT50 x MCK1 - 3.5"	7.5	1.317	0.59	0.433	0.748	M4 x 0.5P	3.30
44.487.01.400	SCAT50 x MCK1 - 4"	8	1.817					3.35
44.487.02.350	SCAT50 x MCK2 - 3.5"	7.5	1.368	0.728	0.551	0.925	M5 x 0.5P	3.40
44.487.02.530	SCAT50 x MCK2 - 5.3"	9.3	3.167					3.45
44.487.03.350	SCAT50 x MCK3 - 3.5"	7.5	1.453	0.866	0.709	1.22	M6 x 0.75P	3.50
44.487.03.550	SCAT50 x MCK3 - 5.5"	9.5	3.453					3.55
44.487.04.350	SCAT50 x MCK4 - 3.5"	7.5	1.544	0.945	0.866	1.535	M8 x 0.75P	3.60
44.487.04.550	SCAT50 x MCK4 - 5.5"	9.5	3.544					3.65
44.487.05.350	SCAT50 x MCK5 - 3.5"	7.5	1.669	1.181	1.102	1.969	M10 x 1.0P	3.70
44.487.05.550	SCAT50 x MCK5 - 5.5"	9.5	3.669					3.75
44.487.06.350	SCAT50 x MCK6 - 3.5"	7.5	1.988	1.653	1.417	2.48	M12 x 1.0P	3.80
44.487.06.550	SCAT50 x MCK6 - 5.5"	9.5	3.987					3.85





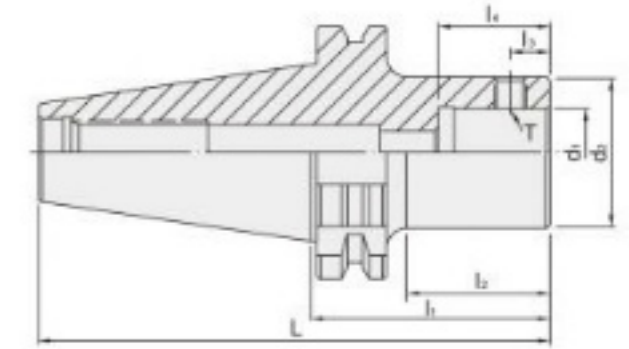
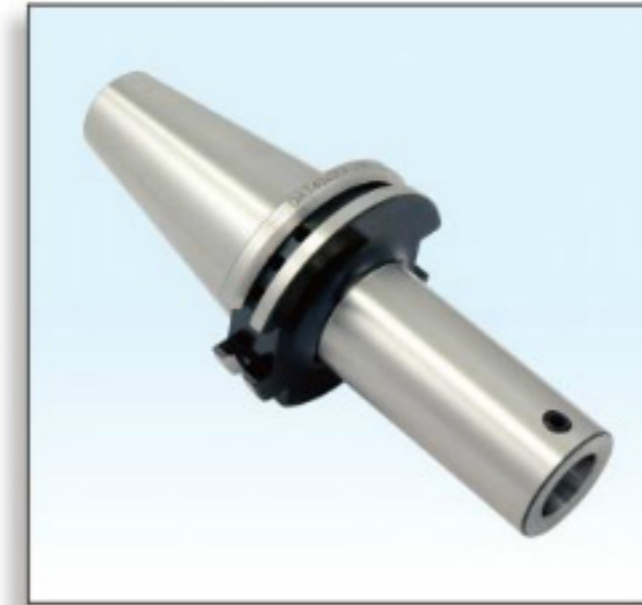
ทางท่อนส่วนจำกัด เลิศไพบุณย์ สตีล Lert Piboon Steel Ltd., Part.

SDAT / SCK



- Can be used with SYIC-17550 Extension Spacer, more convenient for machining.
- Internal tolerance is H6.

SDAT / MCK



- Internal hole tolerance: H6.
- For center coolant (DIN 69871-AD).
- The pre-balance can reach G6.3 5,000 rpm, without an inspection report.
- The balancing grade and revolution can be done according to customer's request but the additional charge is needed.

MODEL NO.	TYPE - l ₁	L	l ₂	l ₃	l ₄	d ₁	d ₂	T	WEIGHT (KGS)
66.650.02.080	SDAT40 x SCK2 - 80	148.4	51	6.62	18.5	14	23.5	M5 x 0.8P	1.10
66.650.02.110	SDAT40 x SCK2 - 110	178.4	81						1.15
66.650.03.090	SDAT40 x SCK3 - 90	158.4	66	8	22	18	31	M6 x 1.0P	1.20
66.650.03.125	SDAT40 x SCK3 - 125	193.4	101						1.25
66.650.04.080	SDAT40 x SCK4 - 80	148.4	56	10	24	22	39	M8 x 1.25P	1.30
66.650.04.110	SDAT40 x SCK4 - 110	178.4	86						1.35
66.650.05.095	SDAT40 x SCK5 - 95	163.4	75	13	30	28	50	M10 x 1.5P	1.40
66.650.05.110	SDAT40 x SCK5 - 110	178.4	90						1.45
66.650.06.065	SDAT40 x SCK6 - 65	133.4	45	16	40	36	63	M12 x 1.75P	1.50
66.650.06.095	SDAT40 x SCK6 - 95	163.4	75						1.55
67.650.02.095	SDAT50 x SCK2 - 95	196.75	66	6.62	18.5	14	23.5	M5 x 0.8P	3.20
67.650.02.125	SDAT50 x SCK2 - 125	226.75	96						3.25
67.650.03.125	SDAT50 x SCK3 - 125	226.75	96	8	22	18	31	M6 x 1.0P	3.30
67.650.03.155	SDAT50 x SCK3 - 155	256.75	126						3.35
67.650.04.110	SDAT50 x SCK4 - 110	211.75	81	10	24	22	39	M8 x 1.25P	3.40
67.650.04.125	SDAT50 x SCK4 - 125	226.75	96						3.45
67.650.05.065	SDAT50 x SCK5 - 65	166.75	36	13	30	28	50	M10 x 1.5P	3.50
67.650.05.140	SDAT50 x SCK5 - 140	241.75	111						3.55
67.650.06.140	SDAT50 x SCK6 - 140	241.75	111	16	40	36	63	M12 x 1.75P	3.60
67.650.06.170	SDAT50 x SCK6 - 170	271.75	141						3.65

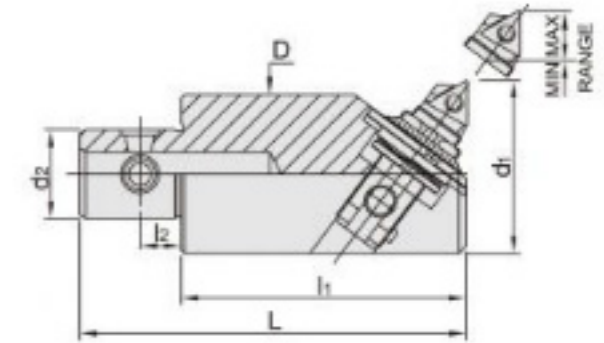
MODEL NO.	TYPE - l ₁	L	l ₂	l ₃	d ₁	d ₂	T	WEIGHT (KGS)
66.487.01.080	SDAT40 x MCK1 - 80	148.4	50.9	18	11	19	M4 x 0.5P	1.00
66.487.01.095	SDAT40 x MCK1 - 95	163.4	65.9					1.05
66.487.02.080	SDAT40 x MCK2 - 80	148.4	50.9	18.5	14	23.5	M5 x 0.5P	1.10
66.487.02.110	SDAT40 x MCK2 - 110	178.4	80.9					1.15
66.487.03.090	SDAT40 x MCK3 - 90	158.4	65.9	24	18	31	M6 x 0.75P	1.20
66.487.03.125	SDAT40 x MCK3 - 125	193.4	100.9					1.25
66.487.04.080	SDAT40 x MCK4 - 80	148.4	55.9	28	22	39	M8 x 0.75P	1.30
66.487.04.110	SDAT40 x MCK4 - 110	178.4	85.9					1.35
66.487.05.095	SDAT40 x MCK5 - 95	163.4	75.4	35	28	50	M10 x 1.0P	1.40
66.487.05.110	SDAT40 x MCK5 - 110	178.4	90.4					1.45
66.487.06.065	SDAT40 x MCK6 - 65	133.4	45.4	42	36	63	M12 x 1.0P	1.50
66.487.06.095	SDAT40 x MCK6 - 95	163.4	75.4					1.55
67.487.01.110	SDAT50 x MCK1 - 110	211.75	80.9	18	11	19	M4 x 0.5P	3.10
67.487.01.125	SDAT50 x MCK1 - 125	226.75	95.9					3.15
67.487.02.095	SDAT50 x MCK2 - 95	196.75	65.9	18.5	14	23.5	M5 x 0.5P	3.20
67.487.02.125	SDAT50 x MCK2 - 125	226.75	95.9					3.25
67.487.03.125	SDAT50 x MCK3 - 125	226.75	95.9	24	18	31	M6 x 0.75P	3.30
67.487.03.155	SDAT50 x MCK3 - 155	256.75	125.9					3.35
67.487.04.110	SDAT50 x MCK4 - 110	211.75	80.9	28	22	39	M8 x 0.75P	3.40
67.487.04.125	SDAT50 x MCK4 - 125	226.75	95.9					3.45
67.487.05.065	SDAT50 x MCK5 - 65	166.75	35.9	35	28	50	M10 x 1.0P	3.50
67.487.05.140	SDAT50 x MCK5 - 140	241.75	110.9					3.55
67.487.06.140	SDAT50 x MCK6 - 140	241.75	110.9	42	36	63	M12 x 1.0P	3.60
67.487.06.170	SDAT50 x MCK6 - 170	271.75	140.9					3.65



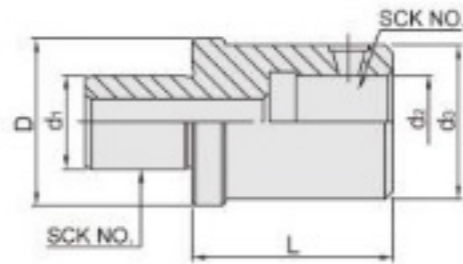


ห้างหุ้นส่วนจำกัด เลิศไพบุณย สตีล Lert Piboon Steel Ltd., Part.

SCK / BYB



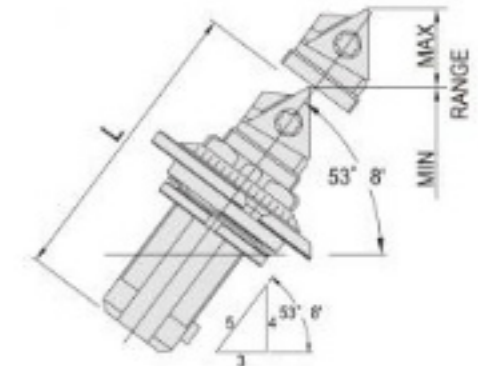
• SYIC-17380 only contains the body, not including SYIC-17400 BYB Micrometer Adjustable Boring Head.



MODEL NO.	TYPE	SYIC - 17400 ASSEMBLE TOOL HOLDER	d ₁		d ₂	L	l ₁	l ₂	D	WEIGHT (KGS)
			MIN.	MAX.						
SYIC - 17382	SCK1 x BYB19	SCK1	19	22.5	11	51	35	4.75	18	0.36
SYIC - 17384	SCK1 x BYB22	SCK1	22	29.5					20	0.36
SYIC - 17386	SCK2 x BYB29	SCK2	29	41	14	61	45	6.5	25	0.37
SYIC - 17388	SCK3 x BYB38	SCK3	38	50	18	90	70	7.7	35	0.41
SYIC - 17390	SCK4 x BYB48	SCK4	48	65	22	84	60	7.7	41	0.59
SYIC - 17392	SCK5 x BYB62	SCK5	62	90	28	110	80	12.7	54	0.70
SYIC - 17394	SCK6 x BYB82	SCK6	82	110	36	150	110	15.7	67	1.05

• Inserts are optional accessories. Needs to be purchased additionally.

MICROMETER ADJUSTABLE BYB BORING HEAD



MODEL NO.	TYPE	L	D	d ₁	d ₂	d ₃	WEIGHT (KGS)
SYIC - 17552	SCK2 - 2 - 30	30	23	14	14	24	0.30
SYIC - 17554	SCK3 - 2 - 37	37	31	18	14	24	0.34
SYIC - 17556	SCK3 - 3 - 30	30			18	31	0.32
SYIC - 17558	SCK4 - 2 - 50	50	39	22	14	24	0.60
SYIC - 17560	SCK4 - 3 - 50				18	31	0.56
SYIC - 17562	SCK4 - 4 - 45	45	22	39	0.52		
SYIC - 17564	SCK5 - 2 - 54	54	50	28	14	24	0.72
SYIC - 17566	SCK5 - 3 - 47	47			18	31	0.70
SYIC - 17568	SCK5 - 4 - 42	42			22	39	0.65
SYIC - 17570	SCK5 - 5 - 60	60			28	50	0.60
SYIC - 17572	SCK6 - 2 - 63	63	63	36	14	24	1.50
SYIC - 17574	SCK6 - 3 - 56	56			18	31	1.30
SYIC - 17576	SCK6 - 4 - 51	51			22	39	1.10
SYIC - 17578	SCK6 - 5 - 41	41			28	50	1.05
SYIC - 17580	SCK6 - 6 - 60	60			36	63	0.95

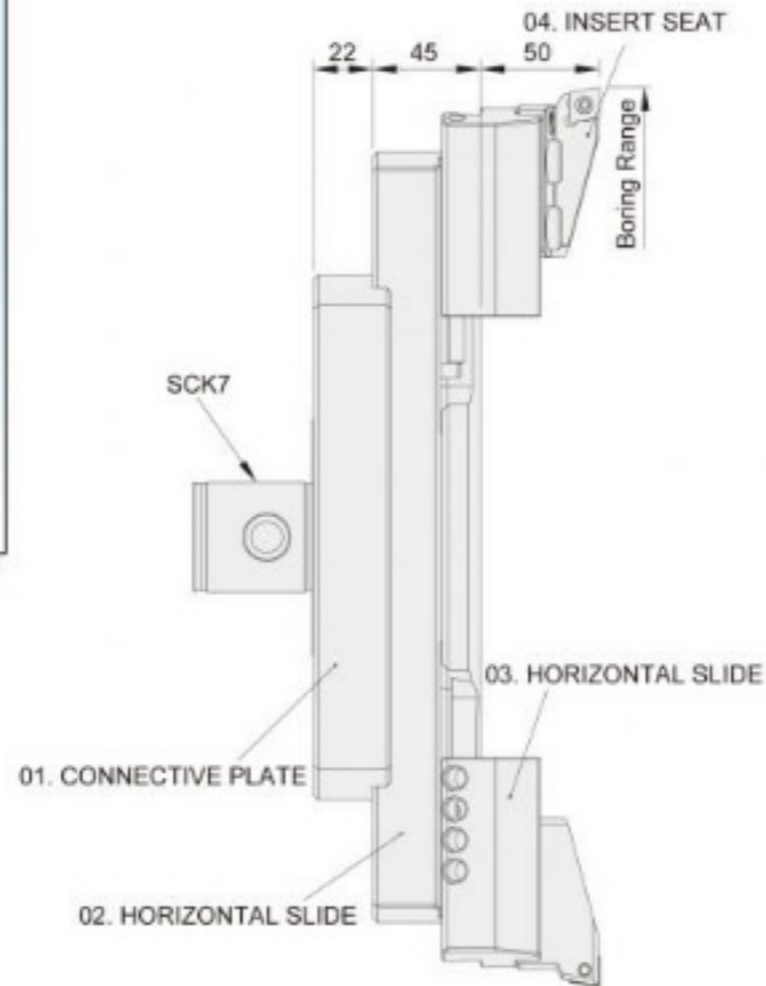
MODEL NO.	TYPE	I09	J10	L12	K11	M13	C03	N14
		I09	J10	L12	K11	M13	C03	N14
SYIC - 17406	M2 - 19	W2	M2.3 x 0.4P	L1.5			M2	T6
SYIC - 17408	M2 - 22	W3	M2.6 x 0.45P	L2			M2	T6
SYIC - 17410	M3 - 29	W3	M2.6 x 0.45P	L2			M2	T6
SYIC - 17412	M5 - 38	W5	M3 x 0.5P	L2.5			M2.5	T9
SYIC - 17414	M5 - 48	W5	-	-	M3 x 0.5P	L2	M2.5	T9
SYIC - 17416	M7 - 62	W7	M3 x 0.5P	-	M4 x 0.7P	L2.5	M4	T15

• Inserts are optional accessories. Needs to be purchased additionally.



ห้างหุ้นส่วนจำกัด เลิศไพบุณย์ สตีล Lert Piboon Steel Ltd., Part.

SRW



MODEL NO.	TYPE	BORING RANGE		01. CONNECTIVE PLATE	02. HORIZONTAL SLIDE	03. HORIZONTAL SLIDE	04. INSERT SEAT	WEIGHT (KGS)
		MIN.	MAX.					
SYIC - 19532	SRW 150A	150	200	SFL135	SSL150 - 200	SCB150 - 200	SRW150A	7.24
SYIC - 19534	SRW 200A	200	270		SSL200 - 270			8.85
SYIC - 19536	SRW 270A	270	340		SSL270 - 340			10.3
SYIC - 19538	SRW 340A	340	410		SSL340 - 410			11.8
SYIC - 19540	SRW 410A	410	480		SSL410 - 480			13.2
SYIC - 19542	SRW 480A	480	550	SFL220	SSL480 - 550	SCB220 - 550	SRW150A	14.7
SYIC - 19544	SRW 550A	550	620		SSL550 - 620			18.6
SYIC - 19546	SRW 620A	620	690		SSL620 - 690			20.1
SYIC - 19548	SRW 690A	690	760		SSL690 - 760			21.5
SYIC - 19550	SRW 760A	760	830		SSL760 - 830			22.9

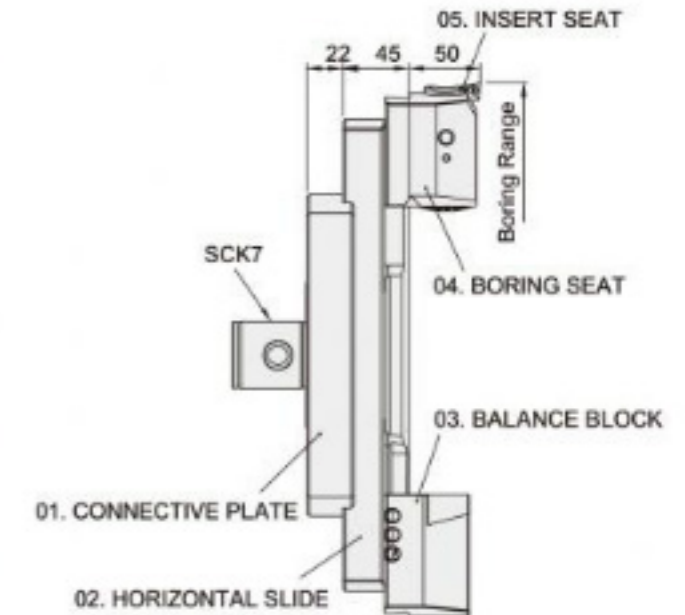
• Spare parts can be purchased individually.

• ACCESSORIES:

INSERT	SCREW	WRENCH
CC..1204	M5-11-7.5-60	T20

• Inserts are optional accessories. Needs to be purchased additionally.

SMB



MODEL NO.	TYPE	01. CONNECTIVE PLATE	02. HORIZONTAL SLIDE	03. BALANCE BLOCK	04. BORING SEAT	05. INSERT SEAT	BORING RANGE	INSERT	WEIGHT (KGS)
SYIC-19562	SMB150	SFL135	SSL150~200	SWB 150~200	SMB 150L	SIC68-1	150~200	TP09 TC11	10.6
			SIC68-2	176~226					
			SIC68-3	200~250					
SYIC-19564	SMB200		SSL200~270	SWB 200~500		SIC68-1	200~270		
			SIC68-2			226~296			
			SIC68-3			250~320			
SYIC-19566	SMB270		SSL270~340			SIC68-1	270~340		
			SIC68-2			296~366			
			SIC68-3			320~390			
SYIC-19568	SMB340		SSL340~410			SIC68-1	340~410		
			SIC68-2			366~436			
			SIC68-3			390~460			
SYIC-19570	SMB410	SSL410~480	SIC68-1		410~480				
		SIC68-2	436~506						
		SIC68-3	460~530						
SYIC-19572	SMB480	SSL480~550	SIC68-1	480~550					
		SIC68-2	506~576						
		SIC68-3	530~600						
SYIC-19574	SMB550	SSL550~620	SIC68-1	550~620					
		SIC68-2	576~646						
		SIC68-3	600~670						
SYIC-19576	SMB620	SSL620~690	SIC68-1	620~690					
		SIC68-2	646~716						
		SIC68-3	670~740						
SYIC-19578	SMB690	SSL690~760	SIC68-1	690~760					
		SIC68-2	716~786						
		SIC68-3	740~810						
SYIC-19580	SMB760	SSL760~830	SIC68-1	760~830					
		SIC68-2	786~856						
		SIC68-3	810~880						

• Spare parts can be purchased individually.

• ACCESSORIES:

INSERT	SCREW	WRENCH
TP.0902	M2.5-6.0-3.5-60	T8
TP.1103	M3-8.0-4.0-43	T9

• Inserts are optional accessories. Needs to be purchased additionally.

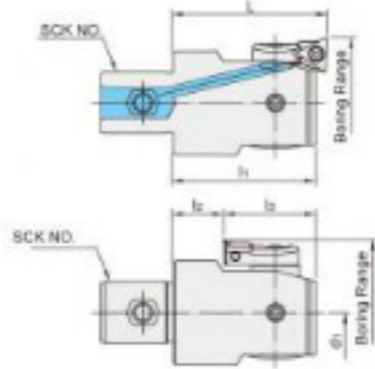


ห้างหุ้นส่วนจำกัด เลิศไพบุณ สตีล Lert Piboon Steel Ltd., Part.

SMB



T W PAT NO. M340139
 T W PAT NO. M363355
 J P PAT NO. 3154595
 C N PAT NO. ZL2008201027849
 D E PAT NO. N.2020090096466
 U S PAT NO. US8109669 B2
 T W PAT NO. M381470
 C N PAT NO. ZL2009201391007
 E S PAT NO. 1072386



TYPES FOR INSERT SEAT

TYPE	DRAWING	SUITABLE FINISH BORING HEAD	TYPE	DRAWING	SUITABLE FINISH BORING HEAD
SIC20 - 1		SMB20	SIC20 - 1E		SMB20
SIC20 - 2			SIC20 - 2E		
SIC20 - 3			SIC20 - 3E		
SIC25 - 1		SMB25	SIC25 - 1E		SMB25
SIC25 - 2			SIC25 - 2E		
SIC25 - 3			SIC25 - 3E		
SIC32 - 1		SMB32	SIC32 - 1E		SMB32
SIC32 - 2			SIC32 - 2E		
SIC32 - 3			SIC32 - 3E		
SIC41 - 1		SMB41	SIC41 - 1E		SMB41
SIC41 - 2			SIC41 - 2E		
SIC41 - 3			SIC41 - 3E		
SIC53 - 1		SMB53	SIC53 - 1E		SMB53
SIC53 - 2			SIC53 - 2E		
SIC53 - 3			SIC53 - 3E		
SIC68 - 1		SMB68 SMB100	SIC68 - 1E		SMB68 SMB100
SIC68 - 2			SIC68 - 2E		
SIC68 - 3			SIC68 - 3E		

- The body of SMB Finish Boring Head is always designed to have coolant outlet.
 - There are 3 types of insert seats and the boring range of insert seat can be enlarged by exchanging another insert seat.
- For example: there are different boring ranges for different insert seats of SMB25.

STANDARD INSERT SEAT	OPTIONAL INSERT SEAT	
SIC25 - 1	SIC25 - 2	SIC25 - 3
φ 25 ~ φ 33	φ 32 ~ φ 40	φ 39 ~ φ 49

- SYIC_-1 insert seat is a standard accessory.
- SYIC_-2 and SYIC_-3 insert seats are optional accessories and need to be purchased additionally.

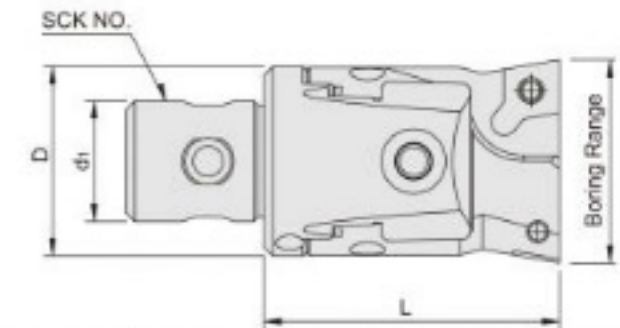
MODEL NO.	TYPE	SCK NO.	INSERT SEAT	INSERT	BORING AND PROCESSING AT FRONT			BORING AND PROCESSING AT BACK			WEIGHT (KGS)
					BORING RANGE	L	l ₁	BORING RANGE	l ₂	l ₃	
SYIC - 19502	SMB20	SCK1	SIC20 - 1	TB06 TP08	20 ~ 26	32.5	29.5	-	10.5	19	0.07
			SIC20 - 2		25 ~ 31			30 ~ 31			
			SIC20 - 3		30 ~ 36			30 ~ 36			
SYIC - 19503	SMB25	SCK2	SIC25 - 1	TB06 TP08	25 ~ 33	35.5	32.5	-	11.5	21	0.12
			SIC25 - 2		32 ~ 40			36 ~ 40			
			SIC25 - 3		39 ~ 47			39 ~ 47			
SYIC - 19505	SMB32	SCK3	SIC32 - 1	TB06 TP08	32 ~ 42	40	35	-	10	25	0.21
			SIC32 - 2		41 ~ 51			46 ~ 51			
			SIC32 - 3		50 ~ 60			50 ~ 60			
SYIC - 19507	SMB41	SCK4	SIC41 - 1	TP09 TC11	41 ~ 54	47	43	-	14	29	0.40
			SIC41 - 2		50 ~ 63			53 ~ 63			
			SIC41 - 3		61 ~ 74			61 ~ 74			
SYIC - 19509	SMB53	SCK5	SIC53 - 1	TP09 TC11	53 ~ 70	57	53	-	19	34	1.10
			SIC53 - 2		65 ~ 82			65 ~ 82			
			SIC53 - 3		78 ~ 95			78 ~ 95			
SYIC - 19511	SMB68	SCK6	SIC68 - 1	TP09 TC11	68 ~ 100	71	67.2	-	22	45.2	1.74
			SIC68 - 2		94 ~ 126			94 ~ 126			
			SIC68 - 3		118 ~ 150			118 ~ 150			
SYIC - 19513	SMB100	SCK6	SIC68 - 1	TP09 TC11	100 ~ 153	71	67.2	-	22	45.2	2.46
			SIC68 - 2		126 ~ 179			126 ~ 179			
			SIC68 - 3		150 ~ 203			150 ~ 203			

ACCESSORIES:

INSERT	SCREW	WRENCH	INSERT	SCREW	WRENCH
TB..0601	M2.5-0.2-7-60	T6	TP..0902	M2.5-6.0-3.5-60	T8
TP..0802			TC..1102		

- Inserts are optional accessories. Needs to be purchased additionally.

SCK



- Not including inserts and need to be purchased separately.

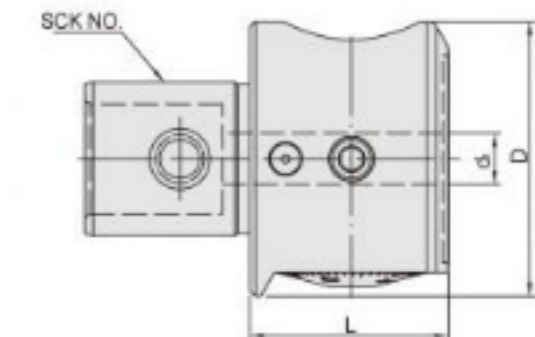


CCMT inserts are suitable for rough boring, heavy and interrupted cutting.

MODEL NO.	TYPE	ASSEMBLE TOOL HOLDER	Boring Range		d ₁	L	D	Insert	Screw	Wrench	WEIGHT (KGS)
			MIN.	MAX.							
SYIC - 17602	SCK2430 - C	SCK2	24	30	14	34	22	CC..0602	M2.5-6.45-3.7	T8	0.19
SYIC - 17604	SCK2940 - C		29	40	14	42	27	CC..09T3	M4-10-5.0-4.3	T15	0.19
SYIC - 17606	SCK3950 - C	SCK3	39	50	18	45	32	CC..1204	M5-11-7.5-60	T20	0.19
SYIC - 17608	SCK4965 - C	SCK4	49	65	22	56	42				0.10
SYIC - 17612	SCK6382 - C	SCK5	63	82	28	66	54	CC..1204	M5-11-7.5-60	T20	0.20
SYIC - 17614	SCK80102 - C	SCK6	80	102	36	86	68				0.26

SBJ BORING HEAD FOR FINISHING

SBJ 高精密搪孔頭



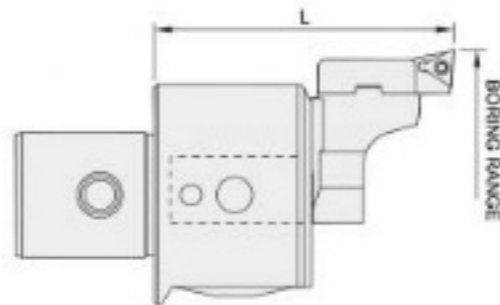
- Minimum balance good for high speed boring.
- Can choose the shank for boring head fit for the machine spindle.
- Boring head only, not including shank & cutter.

MODEL NO.	TYPE	ASSEMBLE TOOL HOLDER	Boring Range	d ₁	D	L	WEIGHT (KGS)
SYIC - 19522	SBJ10	SCK4	6 ~ 22	10	39	28.5	0.25
SYIC - 19524	SBJ12	SCK5	6 ~ 32	12	50	36	0.50
SYIC - 19526	SBJ16	SCK6	6 ~ 50	16	63.5	45	1.00



ห้างหุ้นส่วนจำกัด เลิศไพบุณ สตีล Lert Piboon Steel Ltd., Part.

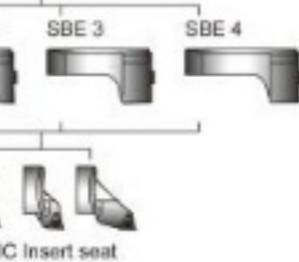
SBE



SBJ16 BORING HEAD



SB



SIC Insert seat

- Features:
- Depending on the range of work piece's diameter, using SBE Extended Boring Insert Seat to enlarge the range of processing and can solve the difficulty of processing different work piece's diameter.
 - To enlarge the range of processing it is easy to operate by only exchanging the insert seat.
 - According to different processing material, operators choose suitable inserts which can increase precision, stability, and have excellent metal chips removal capability.
 - Excellent exchangeable combination system can be based on the processing to make the best adjustment.
 - Suitable for SBJ-16(SYIC-19526).
 - Tool holders, SBJ Boring head, and Inserts need to be purchased additionally.

TYPES FOR INSERT SEAT:

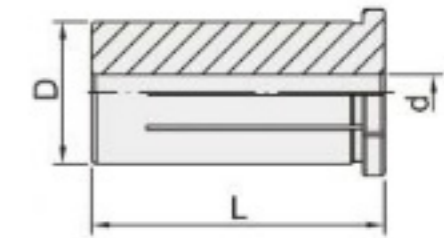
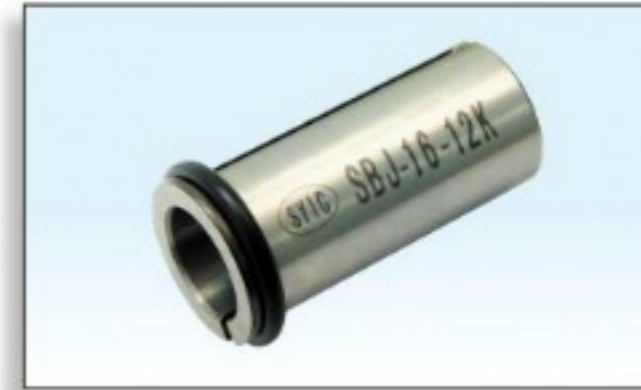
TYPE	DRAWING	SUITABLE FINISH BORING HEAD	TYPE	DRAWING	SUITABLE FINISH BORING HEAD
SIC53 - 1		SMB53	SIC53 - 1E		SMB53
SIC68 - 1			SIC68 - 1E		
SIC68 - 2			SIC68 - 2E		
SIC68 - 3		SMB68	SIC68 - 3E		SMB68
SIC68 - 1			SIC68 - 1E		

MODEL NO.	TYPE	SBJ NO.	INSERT SEAT	INSERT	BORING AND PROCESSING AT FRONT		WEIGHT (KGS)	
					BORING RANGE	L		
SYIC - 158.684.0	SBE - 0	SBJ16	SIC53 - 1	TP.09 TC..11	48 ~ 60	127	0.16	
SYIC - 158.684.1	SBE - 1				60 ~ 72			
SYIC - 158.684.2	SBE - 2				72 ~ 85			
SYIC - 158.684.3	SBE - 3				SIC68 - 1	84 ~ 96	85.5	0.18
					SIC68 - 1	95 ~ 107	85.5	
					SIC68 - 2	120 ~ 132	86	
SYIC - 158.684.4	SBE - 4				SIC68 - 3	145 ~ 157	86.5	0.20
					SIC68 - 1	130 ~ 142	85.5	
					SIC68 - 2	156 ~ 168	86	
					SIC68 - 3	180 ~ 192	86.5	
					SIC68 - 1	142 ~ 154	85.5	
					SIC68 - 2	168 ~ 180	86	
		SIC68 - 3	192 ~ 202	85.6	0.24			

ACCESSORIES:

INSERT	SCREW	WRENCH
TP.0902	M2.5-6.0-3.5-60	T8
TP.1103	M3-8.0-4.0-43	T9

- Inserts are optional accessories. Needs to be purchased additionally.



MODEL NO.	TYPE	D	d	L	WEIGHT (KGS)
SYIC - 82792	SBJ - 16 - 8K	16	8	37	0.08
SYIC - 82794	SBJ - 16 - 10K		10		0.04
SYIC - 82796	SBJ - 16 - 12K		12		0.02
SYIC - 82798	SBJ - 16 - 14K		14		0.01

ANTI-VIBRANT TUNGSTEN STEEL TOOL HOLDER

抗震錫鋼刀柄

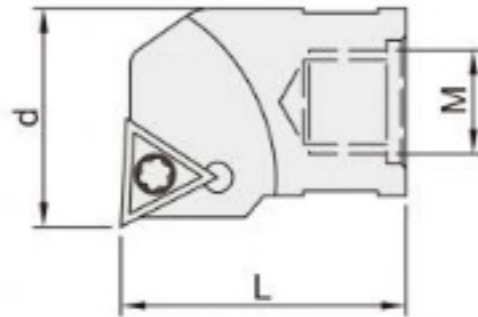


- Boring hole in depth can't exceed 6 times of hole diameter.

MODEL NO.	TYPE	D	L	T	SUITABLE BORING HEAD	BORING CAPACITY	WEIGHT (KGS)
SYIC - 82712	ST08 - W5 - 100L	8	100	M5	SEB09N	9mm ~ 13mm	0.08
SYIC - 82714	ST10 - W6 - 110L	10	110	M6	SEB12N	12mm ~ 15mm	0.12
SYIC - 82716	ST12 - W6 - 120L	12	120	M6	SEB14N	14mm ~ 17mm	0.21
SYIC - 82718	ST14 - W6 - 160L	14	160	M6	SEB16N	16mm ~ 20mm	0.34
SYIC - 82719	ST16 - W10 - 160L	16	160	M10	SEB18N SEB40N	18mm ~ 42mm	0.45

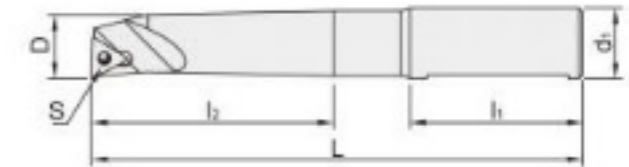


ห้างหุ้นส่วนจำกัด เลิศไพบุณ สตีล Lert Piboon Steel Ltd., Part.



• ACCESSORIES:

INSERT	SCREW	WRENCH
TB..0601	M2-5.0-2.7-60	T6
TP..0802	M2-5.0-2.7-60	T6
TP..0902	M2.5-6.5-3.5-60	T8
TP..1103	M3-8.0-4.0-43	T9



- Can purchase separately or 8pcs/set.
- Min. order quantity of each suitable insert is 10 pcs.



• ACCESSORIES:

INSERT	SCREW	WRENCH
TB..0601	M2-5.0-2.7-60	T6
TP..0902	M2.5-6.5-3.5-60	T8
TP..1103	M3-8.0-4.0-43	T9

MODEL NO.	TYPE	BORING CAPACITY	d	L	M	INSERTS	WEIGHT (KGS)
SYIC - 82732	SEB09N - TP08	9mm - 10.5mm	9	18	M5	TP..0802	0.02
SYIC - 82732 - 10.5 - TP08	SEB10.5N - TP08	10.5mm - 12mm	10.5				0.02
SYIC - 82733	SEB12N - TP08	12mm - 14mm	12	23	M6		0.02
SYIC - 82734	SEB14N - TP08	14mm - 16mm	14				0.02
SYIC - 82735	SEB16N - TP08	16mm - 18mm	16				0.03
SYIC - 82736	SEB18N - TP08	18mm - 20mm	18				0.03
SYIC - 82737	SEB20N - TP08	20mm - 22mm	20				0.04
SYIC - 82738	SEB22N - TP08	22mm - 24mm	22				0.04
SYIC - 82739	SEB24N - TP08	24mm - 26mm	24				0.04
SYIC - 82740	SEB26N - TP08	26mm - 28mm	26				0.04
SYIC - 82741	SEB28N - TP08	28mm - 30mm	28				0.04
SYIC - 82742	SEB30N - TP08	30mm - 32mm	30				0.04
SYIC - 82743	SEB32N - TP08	32mm - 34mm	32	27	M10		0.04
SYIC - 82744	SEB34N - TP08	34mm - 36mm	34				0.05
SYIC - 82745	SEB36N - TP08	36mm - 38mm	36				0.04
SYIC - 82746	SEB38N - TP08	38mm - 40mm	38				0.05
SYIC - 82747	SEB40N - TP08	40mm - 42mm	40				0.05
SYIC - 82748	SEB42N - TP08	42mm - 44mm	42				0.05
SYIC - 82749	SEB44N - TP08	44mm - 46mm	44				0.05
SYIC - 82750	SEB46N - TP08	46mm - 48mm	46				0.05
SYIC - 82751	SEB48N - TP08	48mm - 50mm	48			0.05	
SYIC - 82751 - 50 - TP08	SEB50N - TP08	50mm - 52mm	50			0.05	
SYIC - 82732 - TB06	SEB09N - 06 - TB06	9mm - 10.5mm	9	18	M5	TB..0601	0.02
SYIC - 82733 - TB06	SEB12N - 06 - TB06	12mm - 14mm	12				0.02
SYIC - 82734 - TP09	SEB14N - 09 - TP09	14mm - 16mm	14	23	M6	TP..0902	0.02
SYIC - 82735 - TP09	SEB16N - 09 - TP09	16mm - 18mm	16				0.03
SYIC - 82736 - TP09	SEB18N - 09 - TP09	18mm - 20mm	18			0.03	
SYIC - 82737 - TP09	SEB20N - 09 - TP09	20mm - 22mm	20			0.04	
SYIC - 82738 - TP11	SEB22N - 11 - TP11	22mm - 24mm	22			0.04	
SYIC - 82739 - TP11	SEB24N - 11 - TP11	24mm - 26mm	24			0.04	
SYIC - 82740 - TP11	SEB26N - 11 - TP11	26mm - 28mm	26			0.04	
SYIC - 82741 - TP11	SEB28N - 11 - TP11	28mm - 30mm	28	27	M10	TP..1103	0.04
SYIC - 82742 - TP11	SEB30N - 11 - TP11	30mm - 32mm	30				0.04
SYIC - 82743 - TP11	SEB32N - 11 - TP11	32mm - 34mm	32				0.04
SYIC - 82744 - TP11	SEB34N - 11 - TP11	34mm - 36mm	34				0.05
SYIC - 82745 - TP11	SEB36N - 11 - TP11	36mm - 38mm	36				0.04
SYIC - 82746 - TP11	SEB38N - 11 - TP11	38mm - 40mm	38				0.05
SYIC - 82747 - TP11	SEB40N - 11 - TP11	40mm - 42mm	40				0.04

• Inserts are optional accessories. Needs to be purchased additionally.

MODEL NO.	TYPE	BORING CAPACITY	D	d1	L	l1	l2	INSERTS	WEIGHT (KGS)		
SYIC - 82372	SBJ - 1008 - 24	8 - 11	8	10	58	25	24	TB..0601	0.02		
SYIC - 82374	SBJ - 1010 - 30	10 - 13	10		64		30		0.04		
SYIC - 82376	SBJ - 1012 - 36	12 - 17	12		70		36	TP..0902	0.04		
SYIC - 82378	SBJ - 1016 - 48	16 - 21	16		78		48		0.08		
SYIC - 82380	SBJ - 10 4PCS / SET INCLUDE BOX										
SYIC - 82382	SBJ - 1208 - 28	8 - 11	8	12	67	30	28	TB..0601	0.04		
SYIC - 82384	SBJ - 1210 - 35	10 - 13	10		74		35		0.04		
SYIC - 82386	SBJ - 1212 - 42	12 - 17	12		81		42	TP..0902	0.06		
SYIC - 82388	SBJ - 1216 - 56	16 - 21	16		95		56		0.08		
SYIC - 82390	SBJ - 1220 - 70	20 - 26	20		105		70	TP..1103	0.12		
SYIC - 82392	SBJ - 12 5PCS / SET INCLUDE BOX										
SYIC - 82752	SBJ - 1608 - 32	8 - 11	8	16	64	32	32	TB..0601	0.06		
SYIC - 82754	SBJ - 1610 - 40	10 - 13	10		72		40		0.07		
SYIC - 82756	SBJ - 1612 - 53	12 - 17	12		85		53	TP..0902	0.08		
SYIC - 82758	SBJ - 1616 - 68	16 - 21	16		100		68		0.12		
SYIC - 82760	SBJ - 1620 - 83	20 - 26	20		115		83	TP..1103	0.16		
SYIC - 82762	SBJ - 1625 - 90	25 - 32	25		122		90		0.25		
SYIC - 82764	SBJ - 1630 - 90	30 - 42	30			0.30					
SYIC - 82766	SBJ - 1640 - 90	40 - 50	40			0.40					
SYIC - 82768	SBJ - 16 8PCS / SET INCLUDE BOX										
SYIC - 82772	SBJ - 2008 - 32	8 - 11	8	20	64	32	32	TB..0601	0.09		
SYIC - 82774	SBJ - 2010 - 40	10 - 13	10		72		40		0.11		
SYIC - 82776	SBJ - 2012 - 53	12 - 17	12		85		53	TP..0902	0.11		
SYIC - 82778	SBJ - 2016 - 68	16 - 21	16		100		68		0.15		
SYIC - 82780	SBJ - 2020 - 83	20 - 26	20		115		83	TP..1103	0.20		
SYIC - 82782	SBJ - 2025 - 96	25 - MAX	25		128		96		0.30		
SYIC - 82784	SBJ - 2030 - 115	30 - MAX	30		147		115	0.50			
SYIC - 82786	SBJ - 20 - 20L	MAX	40		97		-	-	0.25		
SYIC - 82788	SBJ - 20 8PCS / SET INCLUDE BOX										

• Inserts are optional accessories. Needs to be purchased additionally.