

TOOL HOLDER SYSTEM

SBT MAS 403
series





ห้างหุ้นส่วนจำกัด เลิศไพบุณย์ สตีล Lert Piboon Steel Ltd., Part.

SBT / ER



T W PAT NO. M298033
 T W PAT NO. M311791
 J P PAT NO. 3128766
 K R PAT NO. 20-0433803
 C N PAT NO. ZL200620132661,0
 C N PAT NO. ZL200620103196,7
 C H PAT NO. 696550
 T R PAT NO. TR 2007 02942 Y
 I T PAT NO. N0000266731

- Can clamp straight cutters and tools.
- The pre-balance can reach G6.3 10,000 rpm, without an inspection report.
- The balancing grade and revolution can be done according to customer's request but the additional charge is needed.

SBT / ER



T W PAT NO. M298033
 T W PAT NO. M311791
 J P PAT NO. 3128766
 K R PAT NO. 20-0433803
 C N PAT NO. ZL200620132661,0
 C N PAT NO. ZL200620103196,7
 C H PAT NO. 696550
 T R PAT NO. TR 2007 02942 Y
 I T PAT NO. N0000266731

- Can clamp straight cutters and tools.
- The pre-balance can reach G6.3 10,000 rpm, without an inspection report.
- The balancing grade and revolution can be done according to customer's request but the additional charge is needed.

MODEL NO.	TYPE - l ₁	L	l ₂	d ₁	d ₂	T	SIZE RANGE	WEIGHT (KGS)
25.122.16.050	SBT30 x ER16A - 50	98.4	27	28	28	M10 x 1.5P	1.0 ~ 10	0.45
25.122.16.060	SBT30 x ER16A - 60	108.4	35					0.60
25.122.16.070	SBT30 x ER16A - 70	118.4	40					0.55
25.122.16.100	SBT30 x ER16A - 100	148.4	70					0.70
25.122.16.120	SBT30 x ER16A - 120	168.4	93					0.78
25.122.20.050	SBT30 x ER20A - 50	98.4	28	34	34	M12 x 1.75P	1.0 ~ 13	0.48
25.122.20.070	SBT30 x ER20A - 70	118.4	45					0.62
25.122.20.135	SBT30 x ER20A - 135	183.4	110					1.00
25.122.25.070	SBT30 x ER25 - 70	118.4	46	42	42	M16 x 2.0P	1.0 ~ 16	0.70
25.122.25.135	SBT30 x ER25 - 135	183.4	111					1.45
25.122.32.070	SBT30 x ER32 - 70	118.4	48	50	45		2.0 ~ 20	0.70
25.122.32.100	SBT30 x ER32 - 100	148.4	78					1.00
25.122.40.080	SBT30 x ER40 - 80	128.4	58					1.10

MODEL NO.	TYPE - l ₁	L	l ₂	d ₁	d ₂	T	SIZE RANGE	WEIGHT (KGS)
26.122.16.070	SBT40 x ER16A - 70	135.4	40	28	28	M10 x 1.5P	1.0 ~ 10	1.20
26.122.16.100	SBT40 x ER16A - 100	165.4	63					1.30
26.122.16.125	SBT40 x ER16A - 125	190.4	88					1.36
26.122.16.150	SBT40 x ER16A - 150	215.4	103					1.54
26.122.16.180	SBT40 x ER16A - 180	245.4	143					2.00
26.122.20.070	SBT40 x ER20A - 70	135.4	40	34	34	M12 x 1.75P	1.0 ~ 13	1.18
26.122.20.100	SBT40 x ER20A - 100	165.4	63					1.80
26.122.20.135	SBT40 x ER20A - 135	200.4	98					1.70
26.122.20.150	SBT40 x ER20A - 150	215.4	113					1.80
26.122.25.070	SBT40 x ER25 - 70	135.4	40	42	42	M16 x 2.0P	1.0 ~ 16	1.30
26.122.25.100	SBT40 x ER25 - 100	165.4	70					1.50
26.122.25.125	SBT40 x ER25 - 125	190.4	95					1.78
26.122.25.150	SBT40 x ER25 - 150	215.4	115					2.06
26.122.32.070	SBT40 x ER32 - 70	135.4	40	50	50	-	2.0 ~ 20	1.30
26.122.32.100	SBT40 x ER32 - 100	165.4	70					1.70
26.122.32.150	SBT40 x ER32 - 150	215.4	118					2.50
26.122.40.080	SBT40 x ER40 - 80	145.4	53	63	53	M20 x 2.0P	3.0 ~ 26	1.50
26.122.40.100	SBT40 x ER40 - 100	165.4	73					2.05
26.122.40.120	SBT40 x ER40 - 120	185.4	93					1.92
26.122.40.150	SBT40 x ER40 - 150	215.4	123					3.10
26.122.50.085	SBT40 x ER50 - 85	150.4	58	78	60	M24 x 2.0P	5.0 ~ 34	1.70
26.122.50.100	SBT40 x ER50 - 100	165.4	73					2.10



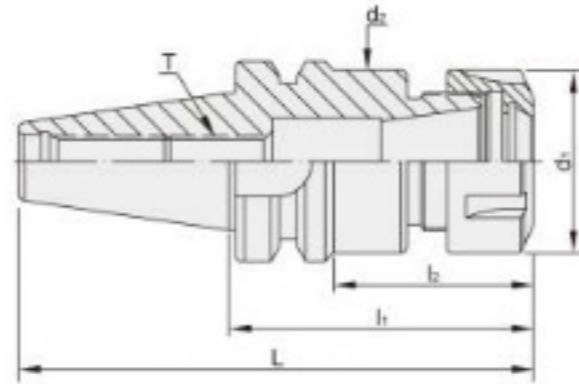


ห้างหุ้นส่วนจำกัด เลิศไพบุณ สตีล Lert Piboon Steel Ltd., Part.

SBT / ER



T W PAT NO. M298033
 T W PAT NO. M311791
 J P PAT NO. 3128788
 K R PAT NO. 20-0433603
 C N PAT NO. ZL2006201329610
 C N PAT NO. ZL2006201031967
 C H PAT NO. 606550
 T R PAT NO. TR 2007 02942 Y
 I T PAT NO. N0000266731

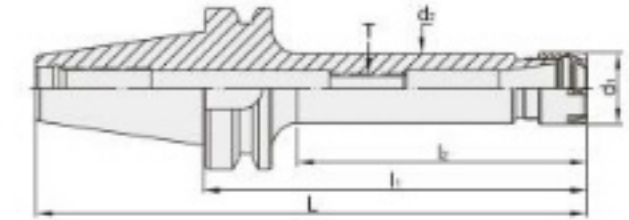


- Can clamp straight cutters and tools.
- The pre-balance can reach G6.3 10,000 rpm, without an inspection report.
- The balancing grade and revolution can be done according to customer's request but the additional charge is needed.

M 型 SBT



T W PAT NO. M298033
 T W PAT NO. M311791
 J P PAT NO. 3128788
 K R PAT NO. 20-0433603
 C N PAT NO. ZL2006201329610
 C N PAT NO. ZL2006201031967
 C H PAT NO. 606550
 T R PAT NO. TR 2007 02942 Y
 I T PAT NO. N0000266731



- The pre-balance can reach G6.3 10,000 rpm, without an inspection report.
- The balancing grade and revolution can be done according to customer's request but the additional charge is needed.

MODEL NO.	TYPE - l ₁	L	l ₂	d ₁	d ₂	T	SIZE RANGE	WEIGHT (KGS)				
27.122.16.070	SBT50 x ER16A - 70	171.8	28	28	28	M10 x 1.5P	1.0 ~ 10	4.05				
27.122.16.090	SBT50 x ER16A - 90	191.8	47					4.20				
27.122.16.105	SBT50 x ER16A - 105	206.8	57					4.30				
27.122.16.135	SBT50 x ER16A - 135	236.8	87					4.40				
27.122.16.150	SBT50 x ER16A - 150	251.8	102					4.50				
27.122.16.165	SBT50 x ER16A - 165	266.8	117					4.50				
27.122.20.070	SBT50 x ER20A - 70	171.8	29	34	34	M12 x 1.75P	1.0 ~ 13	4.20				
27.122.20.090	SBT50 x ER20A - 90	191.8	47					4.25				
27.122.20.105	SBT50 x ER20A - 105	206.8	57					4.30				
27.122.20.135	SBT50 x ER20A - 135	236.8	87					4.55				
27.122.20.150	SBT50 x ER20A - 150	251.8	102					4.70				
27.122.20.165	SBT50 x ER20A - 165	266.8	117					4.80				
27.122.20.200	SBT50 x ER20A - 200	301.8	152	4.90								
27.122.25.070	SBT50 x ER25 - 70	171.8	29	42	42	M16 x 2.0P	1.0 ~ 16	4.20				
27.122.25.105	SBT50 x ER25 - 105	206.8	57					4.40				
27.122.25.135	SBT50 x ER25 - 135	236.8	87					4.70				
27.122.25.165	SBT50 x ER25 - 165	266.8	117					5.00				
27.122.32.080	SBT50 x ER32 - 80	181.8	39					50	50	M16 x 2.0P	2.0 ~ 20	4.70
27.122.32.100	SBT50 x ER32 - 100	201.8	57									4.80
27.122.32.120	SBT50 x ER32 - 120	221.8	72	4.70								
27.122.32.150	SBT50 x ER32 - 150	251.8	102	5.30								
27.122.32.200	SBT50 x ER32 - 200	301.8	152	5.50								
27.122.40.080	SBT50 x ER40 - 80	181.8	39	63	63	M20 x 2.0P	3.0 ~ 26					4.30
27.122.40.100	SBT50 x ER40 - 100	201.8	57					4.64				
27.122.40.120	SBT50 x ER40 - 120	221.8	72					5.10				
27.122.40.135	SBT50 x ER40 - 135	236.8	87					5.50				
27.122.50.090	SBT50 x ER50 - 90	191.8	49					78	78	M24 x 2.0P	5.0 ~ 34	4.60
27.122.50.120	SBT50 x ER50 - 120	221.8	79									5.50
27.122.50.165	SBT50 x ER50 - 165	266.8	124	6.10								

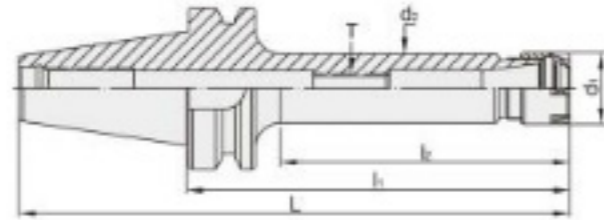
MODEL NO.	TYPE - l ₁	L	l ₂	d ₁	d ₂	T	SIZE RANGE	WEIGHT (KGS)
25.123.11.070	SBT30 x ER11M - 70	118.4	40	16	15	M6 x 1.0P	1.0 ~ 7	0.50
25.123.11.100	SBT30 x ER11M - 100	148.4	70					0.60
25.123.11.120	SBT30 x ER11M - 120	168.4	88					0.70
25.123.16.070	SBT30 x ER16M - 70	118.4	43	22	21	M10 x 1.5P	1.0 ~ 10	0.55
25.123.16.100	SBT30 x ER16M - 100	148.4	68					0.56
25.123.16.120	SBT30 x ER16M - 120	168.4	88					0.75
25.123.20.070	SBT30 x ER20M - 70	118.4	45.5	28	27	M12 x 1.75P	1.0 ~ 13	0.65
25.123.20.100	SBT30 x ER20M - 100	148.4	71					0.70
25.123.20.120	SBT30 x ER20M - 120	168.4	91					0.80
25.123.20.150	SBT30 x ER20M - 150	198.4	121					1.00
26.123.11.070	SBT40 x ER11M - 70	135.4	33	16	15	M6 x 1.0P	1.0 ~ 7	1.10
26.123.11.100	SBT40 x ER11M - 100	165.4	63					1.10
26.123.11.125	SBT40 x ER11M - 125	190.4	88					1.12
26.123.11.150	SBT40 x ER11M - 150	215.4	113					1.20
26.123.16.070	SBT40 x ER16M - 70	135.4	38	22	21	M10 x 1.5P	1.0 ~ 10	1.08
26.123.16.100	SBT40 x ER16M - 100	165.4	63					1.16
26.123.16.125	SBT40 x ER16M - 125	190.4	88					1.20
26.123.16.150	SBT40 x ER16M - 150	215.4	113					1.28
26.123.20.070	SBT40 x ER20M - 70	135.4	38	28	27	M12 x 1.75P	1.0 ~ 13	1.10
26.123.20.100	SBT40 x ER20M - 100	165.4	63					1.24
26.123.20.125	SBT40 x ER20M - 125	190.4	88					1.30
26.123.20.150	SBT40 x ER20M - 150	215.4	113					1.44





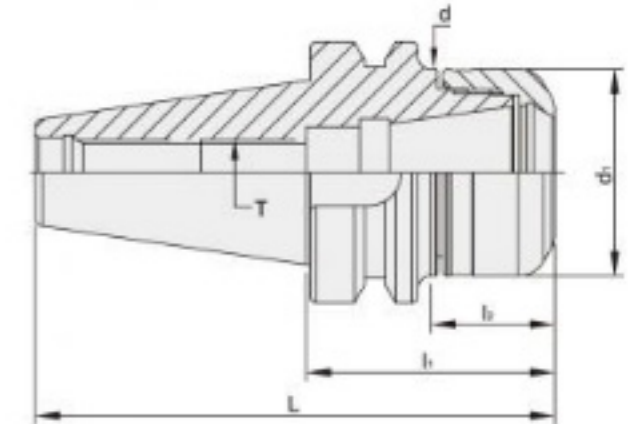
ห้างหุ้นส่วนจำกัด เลิศไพบุณ สตีล Lert Piboon Steel Ltd., Part.

M 型 SBT /



- The pre-balance can reach G6.3 10,000 rpm, without an inspection report.
- The balancing grade and revolution can be done according to customer's request but the additional charge is needed.

SBT / PNE



- Runout accuracy: within 3 μ m.
- The gauge line of PNER collet is shorter, so PNER collet sits well in the PNER holder better than conventional ER collet chucks, which improves the overall runout accuracy of PNER collet chuck and stability of machining.
- Standard revolution: G2.5 25,000rpm, with an inspection report.

MODEL NO.	TYPE - l ₁	L	l ₂	d ₁	d ₂	T	SIZE RANGE	WEIGHT (KGS)
27.123.11.070	SBT50 x ER11M - 70	171.8	22	16	15	M6 x 1.0P	1.0 ~ 7	3.8
27.123.11.090	SBT50 x ER11M - 90	191.8	42					3.9
27.123.11.105	SBT50 x ER11M - 105	206.8	57					4.0
27.123.11.135	SBT50 x ER11M - 135	236.8	87					4.1
27.123.11.165	SBT50 x ER11M - 165	266.8	85					4.2
27.123.16.070	SBT50 x ER16M - 70	171.8	29	22	21	M10 x 1.5P	1.0 ~ 10	3.9
27.123.16.090	SBT50 x ER16M - 90	191.8	42					4.0
27.123.16.105	SBT50 x ER16M - 105	206.8	57					4.1
27.123.16.135	SBT50 x ER16M - 135	236.8	87					4.2
27.123.16.165	SBT50 x ER16M - 165	266.8	117					4.3
27.123.20.090	SBT50 x ER20M - 90	191.8	42	28	27	M12 x 1.75P	1.0 ~ 13	4.1
27.123.20.105	SBT50 x ER20M - 105	206.8	57					4.2
27.123.20.135	SBT50 x ER20M - 135	236.8	87					4.4
27.123.20.165	SBT50 x ER20M - 165	266.8	117					4.6

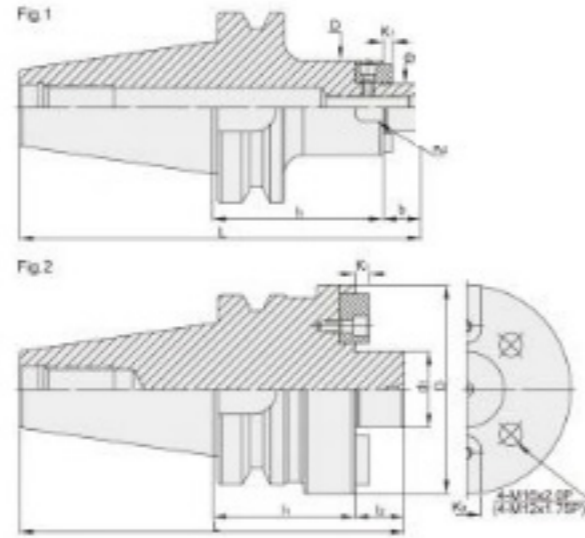
MODEL NO.	TYPE - l ₁	L	l ₂	d ₁	d ₂	T	SIZE RANGE	WEIGHT (KGS)
25.273.16.050	SBT30 x PNER16 - 50	98.4	25	30	26	M10 x 1.5P	3.0 ~ 10	0.80
25.273.20.060	SBT30 x PNER20 - 60	108.4	37	32	32	M12 x 1.75P	3.0 ~ 13	0.80
25.273.25.060	SBT30 x PNER25 - 60			40	40	M16 x 2.0P	3.0 ~ 16	0.90
25.273.32.060	SBT30 x PNER32 - 60			50	50	M16 x 2.0P	3.0 ~ 20	1.00
26.273.16.070	SBT40 x PNER16 - 70	135.4	40	30	20	M10 x 1.5P	3.0 ~ 10	1.12
26.273.20.070	SBT40 x PNER20 - 70			32	63	M12 x 1.75P	3.0 ~ 13	1.14
26.273.25.070	SBT40 x PNER25 - 70			40	40	M16 x 2.0P	3.0 ~ 16	1.19
26.273.32.070	SBT40 x PNER32 - 70			50	50	M16 x 2.0P	3.0 ~ 20	1.20
26.273.40.070	SBT40 x PNER40 - 70			63	63	M20 x 2.0P	6.0 ~ 26	1.40
27.273.16.070	SBT50 x PNER16 - 70	171.8	29	30	20	M10 x 1.5P	3.0 ~ 10	3.00
27.273.20.070	SBT50 x PNER20 - 70			32	32	M12 x 1.75P	3.0 ~ 13	3.00
27.273.25.100	SBT50 x PNER25 - 100			40	40	M16 x 2.0P	3.0 ~ 16	3.93
27.273.32.100	SBT50 x PNER32 - 100			50	50	M16 x 2.0P	3.0 ~ 20	4.12
27.273.40.080	SBT50 x PNER40 - 80			63	63	M20 x 2.0P	6.0 ~ 26	4.20





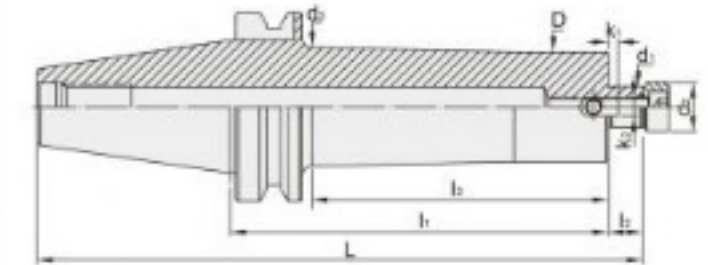
ห้างหุ้นส่วนจำกัด เลิศไพบุณ สตีล Lert Piboon Steel Ltd., Part.

SBT / FMA



- d1 tolerance : h6.
- Tolerance of 7/24 taper : AT3.
- The pre-balance can reach G6.3 3,000 rpm, without an inspection report.
- The balancing grade and revolution can be done according to customer's request but the additional charge is needed.

SBT / FMA



- d1 tolerance: h6.
- The tool holder is through-hole, which is better for water to get through and anti-vibration.
- The top of the tool holder has a design for taper, which can increase the rigidity.
- The pre-balance can reach G6.3 3,000 rpm, without an inspection report.
- The balancing grade and revolution can be done according to customer's request but the additional charge is needed.

MODEL NO.	TYPE	L	l ₁	l ₂	D	d ₁	d ₂	K ₁	K ₂	Fig	WEIGHT (KGS)
25.151.68.045	SBT30 x FMA25.4 - 45	113.4	45	20	50	25.4	31.5	4.52	9.52	1	1.10
25.151.68.060	SBT30 x FMA25.4 - 60	128.4	60								1.30
25.151.72.045	SBT30 x FMA31.75 - 45	115.4	45	22	60	31.75	41	6.7	12.7	1	1.16
26.151.68.045	SBT40 x FMA25.4 - 45	130.4	45								1.80
26.151.68.060	SBT40 x FMA25.4 - 60	145.4	60	20	50	25.4	31.5	4.52	9.52	1	1.45
26.151.68.090	SBT40 x FMA25.4 - 90	175.4	90								2.10
26.151.68.105	SBT40 x FMA25.4 - 105	190.4	105								2.70
26.151.72.045	SBT40 x FMA31.75 - 45	132.4	45	22	60	31.75	41	6.7	12.7	1	1.70
26.151.72.075	SBT40 x FMA31.75 - 75	162.4	75								2.70
26.151.72.090	SBT40 x FMA31.75 - 90	177.4	90	25	75	38.1	44.5	8.87	15.87	1	2.65
26.151.77.060	SBT40 x FMA38.1 - 60	150.4	60								2.25
26.151.86.060	SBT40 x FMA50.8 - 60	161.4	60								2.25
27.151.68.045	SBT50 x FMA25.4 - 45	166.8	45	20	50	25.4	31.5	4.52	9.52	1	4.40
27.151.68.090	SBT50 x FMA25.4 - 90	211.8	90								5.10
27.151.68.150	SBT50 x FMA25.4 - 150	271.8	150	36	98	50.8	65	9.75	19.05	1	6.10
27.151.72.045	SBT50 x FMA31.75 - 45	168.8	45								4.50
27.151.72.075	SBT50 x FMA31.75 - 75	198.8	75	22	60	31.75	41	6.2	12.7	1	5.70
27.151.72.105	SBT50 x FMA31.75 - 105	228.8	105								5.70
27.151.77.045	SBT50 x FMA38.1 - 45	171.8	45	25	80	38.1	44.5	8.87	15.87	1	5.20
27.151.77.075	SBT50 x FMA38.1 - 75	201.8	75								6.00
27.151.86.045	SBT50 x FMA50.8 - 45	182.8	45	36	98	50.8	65	9.75	19.05	1	5.70
27.151.86.075	SBT50 x FMA50.8 - 75	212.8	75								6.80
27.151.84.075	SBT50 x FMA47.62 - 75	208.8	75	32	128.75	47.62	-	12.5	25.4	2	7.90

Option

PULL STUD



MODEL NO.	TYPE	L	l ₁	l ₂	l ₃	D	d ₁	d ₂	d ₃	K ₁	K ₂	WEIGHT (KGS)
27.154.68.125	SBT50 x FMA25.4 - 125BG	246.8	125	20	79	48	25.4	31.5	60	4.25	9.52	5.3
27.154.68.150	SBT50 x FMA25.4 - 150BG	271.8	150		102							6.4
27.154.68.200	SBT50 x FMA25.4 - 200BG	321.8	200	22	152	58	31.75	41	75	6.7	12.7	7.5
27.154.68.250	SBT50 x FMA25.4 - 250BG	371.8	250		202							8.6
27.154.68.300	SBT50 x FMA25.4 - 300BG	421.8	300	25	252	66	75	75	6.7	12.7	9.1	9.7
27.154.68.350	SBT50 x FMA25.4 - 350BG	471.8	350		302							10.8
27.154.68.400	SBT50 x FMA25.4 - 400BG	521.8	400	22	352	70	31.75	41	75	6.7	12.7	11.9
27.154.72.125	SBT50 x FMA31.75 - 125BG	248.8	125		82							5.6
27.154.72.150	SBT50 x FMA31.75 - 150BG	273.8	150	25	107	80	38.1	44.5	8.87	15.87	9.1	6.3
27.154.72.175	SBT50 x FMA31.75 - 175BG	298.8	175		132							8.3
27.154.72.200	SBT50 x FMA31.75 - 200BG	323.8	200	36	157	98	50.8	65	9.75	19.05	9.1	9.1
27.154.72.250	SBT50 x FMA31.75 - 250BG	373.8	250		207							10.6
27.154.72.300	SBT50 x FMA31.75 - 300BG	423.8	300	32	252	128.75	47.62	-	12.5	25.4	9.1	12.1
27.154.72.350	SBT50 x FMA31.75 - 350BG	473.8	350		302							13.6

Option

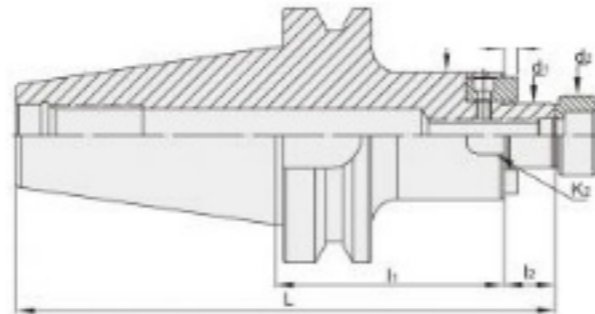
PULL STUD





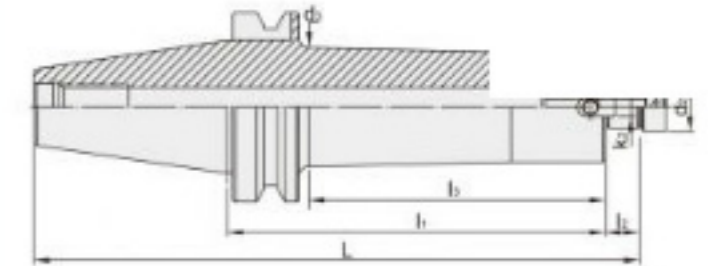
ห้างหุ้นส่วนจำกัด เลิศไพบุณย์ สตีล Lert Piboon Steel Ltd., Part.

SBT / FMB



- d1 tolerance : h6.
- Tolerance of 7/24 taper : AT3.
- The pre-balance can reach G6.3 3,000 rpm, without an inspection report.
- The balancing grade and revolution can be done according to customer's request but the additional charge is needed.

SBT / FMB



- d1 tolerance: h6.
- The tool holder is through-hole, which is better for water to get through and anti-vibration.
- The top of the tool holder has a design for taper, which can increase the rigidity.
- The pre-balance can reach G6.3 3,000 rpm, without an inspection report.
- The balancing grade and revolution can be done according to customer's request but the additional charge is needed.

MODEL NO.	TYPE	L	l ₁	l ₂	D	d ₁	d ₂	K ₁	K ₂	WEIGHT (KGS)
25.153.22.045	SBT30 x FMB22 - 45	115.4	45	19	48	22	26	4.8	10	0.85
25.153.22.060	SBT30 x FMB22 - 60	127.4	60							1.02
25.153.27.045	SBT30 x FMB27 - 45	113.4	45	20	60	27	31.5	5.8	12	1.06
25.153.27.060	SBT30 x FMB27 - 60	128.4	60							1.35
25.153.32.045	SBT30 x FMB32 - 45	115.4	45	22	78	32	41	6.8	14	1.35
26.153.22.045	SBT40 x FMB22 - 45	129.4	45							1.45
26.153.22.060	SBT40 x FMB22 - 60	144.4	60	19	48	22	26	4.8	10	1.54
26.153.22.100	SBT40 x FMB22 - 100	184.4	100							2.10
26.153.27.045	SBT40 x FMB27 - 45	130.4	45	20	60	27	31.5	5.8	12	1.60
26.153.27.060	SBT40 x FMB27 - 60	145.4	60							2.00
26.153.27.090	SBT40 x FMB27 - 90	175.4	90	20	60	27	31.5	5.8	12	2.30
26.153.27.105	SBT40 x FMB27 - 105	190.4	105							2.10
26.153.32.045	SBT40 x FMB32 - 45	132.4	45	22	78	32	41	6.8	14	2.00
26.153.32.060	SBT40 x FMB32 - 60	147.4	60							2.35
26.153.40.060	SBT40 x FMB40 - 60	150.4	60	25	80	40	48	8.3	16	2.80
27.153.22.045	SBT50 x FMB22 - 45	165.8	45	19	48	22	26	4.8	10	4.75
27.153.22.090	SBT50 x FMB22 - 90	210.8	90							5.10
27.153.22.150	SBT50 x FMB22 - 150	270.8	150	20	60	27	31.5	5.8	12	6.80
27.153.27.050	SBT50 x FMB27 - 50	171.8	50							4.30
27.153.27.090	SBT50 x FMB27 - 90	211.8	90	20	60	27	31.5	5.8	12	5.40
27.153.27.150	SBT50 x FMB27 - 150	271.8	150							6.50
27.153.27.200	SBT50 x FMB27 - 200	321.8	200	22	78	32	41	6.8	14	7.50
27.153.27.250	SBT50 x FMB27 - 250	371.8	250							8.50
27.153.32.050	SBT50 x FMB32 - 50	173.8	50	22	78	32	41	6.8	14	4.60
27.153.32.090	SBT50 x FMB32 - 90	213.8	90							5.80
27.153.40.050	SBT50 x FMB40 - 50	176.8	50	25	89	40	48	8.3	16	5.20
27.153.40.090	SBT50 x FMB40 - 90	216.8	90							6.00
27.153.40.105	SBT50 x FMB40 - 105	231.8	105	7.20						

Option

PULL STUD



P98

MODEL NO.	TYPE - l ₁	L	l ₁	l ₂	l ₃	D	d ₁	d ₂	d ₃	K ₁	K ₂	WEIGHT (KGS)
26.154.22.150	SBT40 x FMB22 - 150BG	234.4	150	19	118	48	22	26	51	4.8	10	3.1
26.154.22.200	SBT40 x FMB22 - 200BG	284.4	200		168							4.0
26.154.22.250	SBT40 x FMB22 - 250BG	334.4	250		218							4.9
27.154.22.150	SBT50 x FMB22 - 150BG	270.8	150	19	107	58	22	26	62.5	4.25	9.52	6.8
27.154.22.200	SBT50 x FMB22 - 200BG	320.8	200		157							8.4
27.154.22.250	SBT50 x FMB22 - 250BG	370.8	250		207							9.4
27.154.22.300	SBT50 x FMB22 - 300BG	420.8	300		257							10.4
27.154.22.350	SBT50 x FMB22 - 350BG	470.8	350		307							11.4
27.154.22.400	SBT50 x FMB22 - 400BG	520.8	400		352							12.4
27.154.22.450	SBT50 x FMB22 - 450BG	570.8	450		402							13.4
27.154.22.500	SBT50 x FMB22 - 500BG	620.8	500	452	14.4							
27.154.27.150	SBT50 x FMB27 - 150BG	271.8	150	20	107	70	27	31.5	78	5.8	12	6.8
27.154.27.200	SBT50 x FMB27 - 200BG	321.8	200		157							8.4
27.154.27.250	SBT50 x FMB27 - 250BG	371.8	250		207							9.4
27.154.27.300	SBT50 x FMB27 - 300BG	421.8	300		257							10.4
27.154.27.350	SBT50 x FMB27 - 350BG	471.8	350		307							11.4
27.154.27.400	SBT50 x FMB27 - 400BG	521.8	400		352							12.4
27.154.27.450	SBT50 x FMB27 - 450BG	571.8	450		402							13.4
27.154.27.500	SBT50 x FMB27 - 500BG	621.8	500	452	14.4							
27.154.32.150	SBT50 x FMB32 - 150BG	273.8	150	22	107	78	32	41	85	6.8	14	7.0
27.154.32.200	SBT50 x FMB32 - 200BG	323.8	200		157							8.5
27.154.32.250	SBT50 x FMB32 - 250BG	373.8	250		207							9.5
27.154.32.300	SBT50 x FMB32 - 300BG	423.8	300		257							10.5
27.154.32.350	SBT50 x FMB32 - 350BG	473.8	350		307							11.5
27.154.32.400	SBT50 x FMB32 - 400BG	523.8	400		352							12.5
27.154.32.450	SBT50 x FMB32 - 450BG	573.8	450		402							13.5
27.154.32.500	SBT50 x FMB32 - 500BG	623.8	500	452	14.5							

Option

PULL STUD

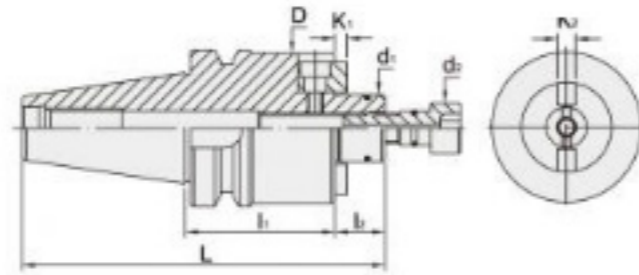


P98



ห้างหุ้นส่วนจำกัด เลิศไพบุณ สตีล Lert Piboon Steel Ltd., Part.

SBT / SMA



- d1 tolerance: h6.
- Suitable for SRM Shell Rough Fixation Mill.
- There is more than 80% contact area that can avoid vibration effectively.
- The pre-balance can reach G6.3 3,000 rpm, without an inspection report.
- The balancing grade and revolution can be done according to customer's request but the additional charge is needed.

• SCREW:

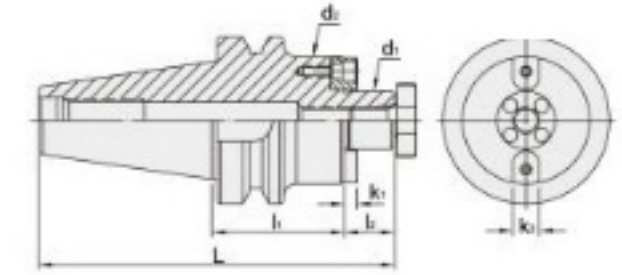
MODEL NO.	TYPE
SYIC - SMA22 - W	M10 x 1.5P - 35
SYIC - SMA27 - W	M12 x 1.75P - 35

MODEL NO.	TYPE - l ₁	L	l ₂	D	d ₁	d ₂	K ₁	K ₂	WEIGHT (KGS)
26.660.22.090	SBT40xSMA22 - 90	174.4	19	50	22	18	4.8	10	1.90
26.660.22.105	SBT40xSMA22 - 105	189.4							1.10
26.660.22.135	SBT40xSMA22 - 135	219.4							2.20
26.660.27.090	SBT40xSMA27 - 90	175.4	20	63	27	20	5.8	12	2.00
26.660.27.105	SBT40xSMA27 - 105	190.4							2.10
26.660.27.135	SBT40xSMA27 - 135	220.4							2.20
26.660.32.090	SBT40xSMA32 - 90	177.4	22	80	32	22	6.8	14	2.40
26.660.32.105	SBT40xSMA32 - 105	192.4							2.50
26.660.32.135	SBT40xSMA32 - 135	222.4							2.60
27.660.22.090	SBT50xSMA22 - 90	210.8	19	48	22	18	4.8	10	4.80
27.660.22.105	SBT50xSMA22 - 105	225.8							5.00
27.660.22.135	SBT50xSMA22 - 135	255.8							5.10
27.660.27.090	SBT50xSMA27 - 90	211.8	20	60	27	20	5.8	12	5.40
27.660.27.105	SBT50xSMA27 - 105	226.8							5.50
27.660.27.135	SBT50xSMA27 - 135	256.8							5.60
27.660.32.090	SBT50xSMA32 - 90	213.8	22	80	32	22	6.8	14	5.80
27.660.32.105	SBT50xSMA32 - 105	228.8							5.90
27.660.32.135	SBT50xSMA32 - 135	258.8							6.00

Option



SBT / FMC



- d1 tolerance: h6.
- Suitable for SRM Shell Rough Fixation Mill.
- There is more than 80% contact area that can avoid vibration effectively.
- The pre-balance can reach G6.3 3,000 rpm, without an inspection report.
- The balancing grade and revolution can be done according to customer's request but the additional charge is needed.



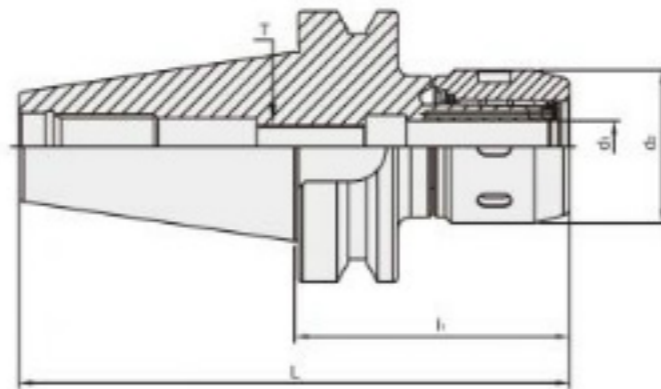
MODEL NO.	TYPE - l ₁	L	l ₁	l ₂	D	d ₁	d ₂	K ₁	K ₂	WEIGHT (KGS)
25.157.16.035	SBT30 x FMC16 - 35	125.4	35	17	40	16	20	5	8	0.72
25.157.22.040	SBT30 x FMC22 - 40	127.4	40	19	50	22	28	4.8	10	0.80
25.157.27.040	SBT30 x FMC27 - 40	129.4		21	60	27	35	5.8	12	1.06
26.157.16.045	SBT40 x FMC16 - 45	132.4	45	17	40	16	20	5	8	1.20
26.157.22.045	SBT40 x FMC22 - 45	134.4		19	50	22	28	4.8	10	1.34
26.157.27.045	SBT40 x FMC27 - 45	146.4	21	60	27	35	5.8	12	1.56	
26.157.32.050	SBT40 x FMC32 - 50	149.4	50	24	78	32	42	6.8	14	1.96
27.157.16.050	SBT50 x FMC16 - 50	168.8	60	17	40	16	20	5	8	4.00
27.157.22.060	SBT50 x FMC22 - 60	170.8		19	50	22	28	4.8	10	4.10
27.157.27.060	SBT50 x FMC27 - 60	173.8		21	60	27	35	5.8	12	4.30
27.157.32.060	SBT50 x FMC32 - 60	185.8		24	78	32	42	6.8	14	4.60
27.157.40.070	SBT50 x FMC40 - 70	198.8		27	89	40	52	8.3	16	5.20

Option



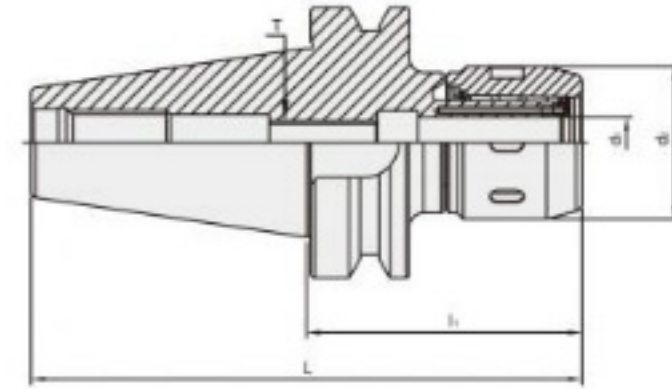


SBT / MLD



T W PAT NO. M47277
T W PAT NO. M430337

SBT / MLD



T W PAT NO. M47277
T W PAT NO. M430337

- There is a special design for the slots of internal hole. It prevents the cutting tools from slipping and increases the clamping power.
- The body of the tool holder is thick, so it has good clamping power. It adopts the needle bearing design to prevent the slipping. The operation is convenient and easy.
- After locking the cutting tool (The tolerance of the cutting tool must be less than h6), it is more contacted with the flange while locking the clamping nut and tool holder. It can prevent the bearing cage from deformation easily. Also, rigidity and dust-proof function is improved.

- High stability of the precision and easy for combination. There won't be a situation of vibration during the high speed processing or big cutting depth.
- Good clamping power. The clamping power of MLD32 type is around 1000 N-m.
- Run-out: Within 0.001-0.005mm.
- Concentricity: 0.02mm.
- The pre-balance can reach G6.3 8,000RPM, with an inspection report. The balancing grade and revolution can be done according to customer's request but the additional charge is needed.

- There is a special design for the slots of internal hole. It prevents the cutting tools from slipping and increases the clamping power.
- The body of the tool holder is thick, so it has good clamping power. It adopts the needle bearing design to prevent the slipping. The operation is convenient and easy.
- After locking the cutting tool (The tolerance of the cutting tool must be less than h6), it is more contacted with the flange while locking the clamping nut and tool holder. It can prevent the bearing cage from deformation easily. Also, rigidity and dust-proof function is improved.

- High stability of the precision and easy for combination. There won't be a situation of vibration during the high speed processing or big cutting depth.
- Good clamping power. The clamping power of MLD32 type is around 1000 N-m.
- Run-out: Within 0.001-0.005mm.
- Concentricity: 0.02mm.
- The pre-balance can reach G6.3 8,000RPM, with an inspection report. The balancing grade and revolution can be done according to customer's request but the additional charge is needed.

• When using MLD sealed cap, the coolant fluid discharges from the cutting tool. It's good for heat dissipation and metal chips removal.

• The design of coolant grooves improves the cooling and metal chips removal capability.

• When using MLD sealed cap, the coolant fluid discharges from the cutting tool. It's good for heat dissipation and metal chips removal.

• The design of coolant grooves improves the cooling and metal chips removal capability.

METRIC

MODEL NO.	TYPE	L	l ₁	d ₁	d ₂	T	WEIGHT (KGS)
25.463G.12.065	SBT30 x MLD12 - 65	113.4	65	12	42	M12 x 1.75P	1.0
25.463G.16.075	SBT30 x MLD16 - 75	123.4	75	16	48		1.2
25.463G.20.080	SBT30 x MLD20 - 80	128.4	80	20	56.5		1.9
25.463G.20.090	SBT30 x MLD20 - 90	138.4	90	20	56.5	M16 x 2.0P	2.0
25.463G.25.090	SBT30 x MLD25 - 90	128.4		25	60		1.8
26.463G.12.075	SBT40 x MLD12 - 75	140.4	75	12	42	M12 x 1.75P	1.5
26.463G.12.105	SBT40 x MLD12 - 105	170.4	105				2.0
26.463G.12.135	SBT40 x MLD12 - 135	200.4	135				2.1
26.463G.16.075	SBT40 x MLD16 - 75	140.4	75	16	48	M12 x 1.75P	1.7
26.463G.16.105	SBT40 x MLD16 - 105	170.4	105				2.3
26.463G.16.135	SBT40 x MLD16 - 135	200.4	135				2.4
26.463G.20.080	SBT40 x MLD20 - 80	145.4	80	20	56.5	M16 x 2.0P	2.3
26.463G.20.100	SBT40 x MLD20 - 100	165.4	100				2.5
26.463G.20.135	SBT40 x MLD20 - 135	200.4	135				2.8
26.463G.25.085	SBT40 x MLD25 - 85	150.4	85	25	60	M16 x 2.0P	2.2
26.463G.25.100	SBT40 x MLD25 - 100	165.4	100				2.4
26.463G.32.095	SBT40 x MLD32 - 95	160.4	95				2.7
26.463G.32.105	SBT40 x MLD32 - 105	170.4	105	32	71	M24 x 3.0P	2.7
26.463G.32.135	SBT40 x MLD32 - 135	200.4	135				3.0

METRIC

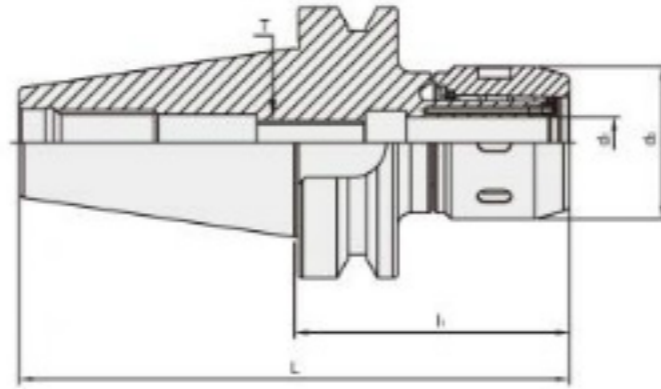
MODEL NO.	TYPE	L	l ₁	d ₁	d ₂	T	WEIGHT (KGS)
27.463G.12.105	SBT50 x MLD12 - 105	206.8	105	12	42	M12 x 1.75P	4.6
27.463G.12.135	SBT50 x MLD12 - 135	236.8	135				5.1
27.463G.12.165	SBT50 x MLD12 - 165	266.8	165				5.8
27.463G.16.105	SBT50 x MLD16 - 105	206.8	105	16	48	M12 x 1.75P	4.9
27.463G.16.135	SBT50 x MLD16 - 135	236.8	135				5.6
27.463G.16.165	SBT50 x MLD16 - 165	266.8	165				6.5
27.463G.20.105	SBT50 x MLD20 - 105	206.8	105	20	56.5	M16 x 2.0P	4.5
27.463G.20.150	SBT50 x MLD20 - 150	251.8	150				4.9
27.463G.25.100	SBT50 x MLD25 - 100	201.8	100				4.8
27.463G.25.130	SBT50 x MLD25 - 130	231.8	130	25	60	M16 x 2.0P	5.7
27.463G.32.105	SBT50 x MLD32 - 105	206.8	105				5.0
27.463G.32.135	SBT50 x MLD32 - 135	236.8	135	32	71	M24 x 3.0P	5.2
27.463G.32.165	SBT50 x MLD32 - 165	266.8	165				6.7
27.463G.42.115	SBT50 x MLD42 - 115	216.8	115				5.5
27.463G.42.130	SBT50 x MLD42 - 130	225.8	130	42	90	M24 x 3.0P	6.5
27.463G.42.165	SBT50 x MLD42 - 165	260.8	165				7.7





ทางหุ้นส่วนจำกัด เลิศไพบุณ สตีล Lert Piboon Steel Ltd., Part.

SBT / MLD



T W PAT NO. M47277
T W PAT NO. M43037

- There is a special design for the slots of internal hole. It prevents the cutting tools from slipping and increases the clamping power.
- The body of the tool holder is thick, so it has good clamping power. It adopts the needle bearing design to prevent the slipping. The operation is convenient and easy.
- After locking the cutting tool (The tolerance of the cutting tool must be less than h6), it is more contacted with the flange while locking the clamping nut and tool holder. It can prevent the bearing cage from deformation easily. Also, rigidity and dust-proof function is improved.



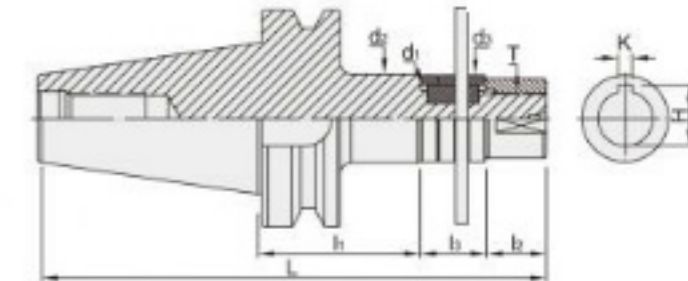
- When using MLD sealed cap, the coolant fluid discharges from the cutting tool. It's good for heat dissipation and metal chips removal.



- The design of coolant grooves improves the cooling and metal chips removal capability.

- High stability of the precision and easy for combination. There won't be a situation of vibration during the high speed processing or big cutting depth.
- Good clamping power. The clamping power of MLD32 type is around 1000 N-m.
- Run-out: Within 0.001-0.005mm.
- Concentricity: 0.02mm.
- The pre-balance can reach G6.3 8,000RPM, with an inspection report. The balancing grade and revolution can be done according to customer's request but the additional charge is needed.

SBT / SCA



- Nut standard: DIN-2082-I
- Bush standard: DIN-2084-B

MODEL NO.	TYPE (d ₁ - l ₁)	L	l ₂	l ₃	d ₂	d ₃	K	H	T	WEIGHT (KGS)
25.649.10.060	SBT30 x SCA10 - 60	155.4	12	35	18	18	-	-	M8 x 1.25P	0.8
25.649.16.060	SBT30 x SCA16 - 60	154.4	16	30	26	26	4	17.7	M14 x 1.5P	1.0
25.649.22.060	SBT30 x SCA22 - 60	160.4	22		34	34	6	24.3	M20 x 1.5P	1.2
25.649.22.075	SBT30 x SCA22 - 75	175.4	22	30	34	34	6	24.3	M20 x 1.5P	1.4
26.649.16.060	SBT40 x SCA16 - 60	171.4								16
26.649.22.060	SBT40 x SCA22 - 60	177.4	22	30	34	34	6	24.3	M20 x 1.5P	1.6
26.649.22.075	SBT40 x SCA22 - 75	192.4								22
26.649.22.120	SBT40 x SCA22 - 120	237.4	28	30	41	40	7	30	M24 x 1.5P	2.0
26.649.27.075	SBT40 x SCA27 - 75	198.4								28
26.649.27.120	SBT40 x SCA27 - 120	243.4	32	30	47	47	8	35	M30 x 1.5P	2.5
26.649.32.090	SBT40 x SCA32 - 90	217.4								32
26.649.66.075	SBT40 x SCA22.22 - 75	192.4	22	30	34	34	3.18	24.6	M20 x 1.5P	1.7
26.649.66.120	SBT40 x SCA22.22 - 120	237.4								22
26.649.68.075	SBT40 x SCA25.40 - 75	198.4	28	30	41	40	6.35	28.4	M24 x 1.5P	2.0
26.649.68.120	SBT40 x SCA25.40 - 120	243.4								28
26.649.72.090	SBT40 x SCA31.75 - 90	217.4	32	30	47	47	7.93	34.8	M30 x 1.5P	2.6
27.649.22.090	SBT50 x SCA22 - 90	243.8								32
27.649.22.135	SBT50 x SCA22 - 135	288.8	22	30	34	34	6	24.3	M20 x 1.5P	4.4
27.649.27.090	SBT50 x SCA27 - 90	249.8								22
27.649.27.135	SBT50 x SCA27 - 135	294.8	28	30	41	40	7	30	M24 x 1.5P	4.6
27.649.32.090	SBT50 x SCA32 - 90	253.8								28
27.649.32.135	SBT50 x SCA32 - 135	298.8	32	30	47	47	8	35	M30 x 1.5P	4.7
27.649.40.090	SBT50 x SCA40 - 90	261.8								32
27.649.40.135	SBT50 x SCA40 - 135	306.8	40	30	55	55	10	43.7	M36 x 2.0P	5.0
27.649.66.090	SBT50 x SCA22.22 - 90	243.8								40
27.649.66.135	SBT50 x SCA22.22 - 135	288.8	22	30	34	34	3.18	24.6	M20 x 1.5P	4.4
27.649.68.090	SBT50 x SCA25.4 - 90	249.8								22
27.649.68.135	SBT50 x SCA25.4 - 135	294.8	28	30	41	40	6.35	28.4	M24 x 1.5P	4.5
27.649.72.090	SBT50 x SCA31.75 - 90	253.8								28
27.649.72.135	SBT50 x SCA31.75 - 135	298.8	32	30	47	47	7.93	34.8	M30 x 1.5P	4.7
27.649.77.090	SBT50 x SCA38.1 - 90	261.8								32
27.649.77.135	SBT50 x SCA38.1 - 135	306.8	40	30	55	55	9.525	42.4	M36 x 2.0P	4.9
										40

Option



P98

INCHES

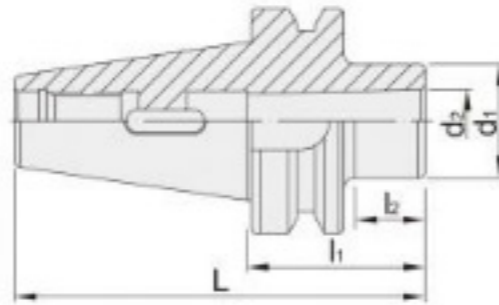
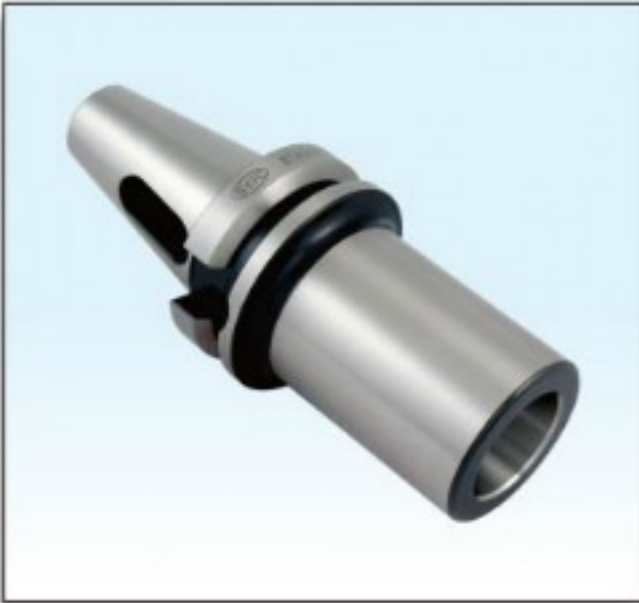
MODEL NO.	TYPE	L	l ₁	d ₁	d ₂	T	WEIGHT (KGS)
25.463G.58.256	SBT30 x MLD1/2" - 2.56"	4.46	2.56	0.5	0.625	M12 x 1.75P	1.0
25.463G.61.295	SBT30 x MLD5/8" - 2.95"	4.86	2.95	0.625	1.84		1.2
25.463G.64.354	SBT30 x MLD3/4" - 3.54"	5.449	3.54	0.75	2.244		1.9
25.463G.68.354	SBT30 x MLD1" - 3.54"	5.449	3.54	1	2.36	M16 x 2.0P	1.8
26.463G.58.295	SBT40 x MLD1/2" - 2.95"	5.528	2.95	0.5	0.625		1.5
26.463G.61.295	SBT40 x MLD5/8" - 2.95"	5.528	2.95	0.625	1.84	M12 x 1.75P	1.7
26.463G.64.315	SBT40 x MLD3/4" - 3.15"	5.724	3.15	0.75	2.244		2.3
26.463G.68.335	SBT40 x MLD1" - 3.35"	5.524	3.35	1	2.36	M16 x 2.0P	2.2
26.463G.72.400	SBT40 x MLD1-1/4" - 4"	6.575	4	1.25	2.795		2.7
27.463G.58.400	SBT50 x MLD1/2" - 4"	8.008	4	0.5	0.625	M12 x 1.75P	4.6
27.463G.61.400	SBT50 x MLD5/8" - 4"			0.625	1.84		4.9
27.463G.64.400	SBT50 x MLD3/4" - 4"	8.008	4	0.75	2.244	M16 x 2.0P	4.5
27.463G.68.413	SBT50 x MLD1" - 4.13"	8.14	4.13	1	2.36		4.8
27.463G.68.512	SBT50 x MLD1" - 5.12"	9.126	5.12			5.7	
27.463G.72.400	SBT50 x MLD1-1/4" - 4"	8.008	4	1.25	2.795	M24 x 3.0P	4.9





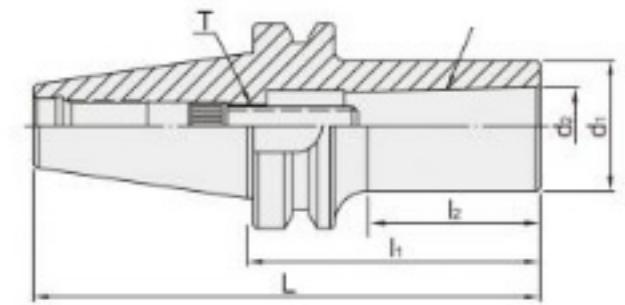
ห้างหุ้นส่วนจำกัด เลิศไพบุณย์ สตีล Lert Piboon Steel Ltd., Part.

SBT / MTA



- High accurate working process. Even though using prolonged drill, the concentricity is still within 0.015mm.

SBT / MTB



- High accurate working process. Even though using prolonged drill, the concentricity is still within 0.015mm.
- Please confirm if you'd like to order screw in metric or inch size when making an order.

MODEL NO.	TYPE SBT - MTA - l ₁	L	l ₁	l ₂	d ₁	d ₂	WEIGHT (KGS)
25.465.01.045	SBT30 x MTA1 - 45	93.4	45	20	25	12.065	0.55
25.465.01.105	SBT30 x MTA1 - 105	153.4	105	78			0.80
25.465.02.060	SBT30 x MTA2 - 60	108.4	60	35	32	17.78	0.60
25.465.02.120	SBT30 x MTA2 - 120	168.4	120	95			0.90
25.465.03.080	SBT30 x MTA3 - 80	128.4	80	56	40	23.825	0.80
26.465.01.045	SBT40 x MTA1 - 45	110.4	45	15	25	12.065	1.05
26.465.01.120	SBT40 x MTA1 - 120	185.4	120	83			1.40
26.465.02.050	SBT40 x MTA2 - 50	115.4	50	20	32	17.78	1.10
26.465.02.120	SBT40 x MTA2 - 120	185.4	120	88			1.45
26.465.03.070	SBT40 x MTA3 - 70	135.4	70	38	40	23.825	1.20
26.465.03.135	SBT40 x MTA3 - 135	200.4	135	102			1.90
26.465.04.095	SBT40 x MTA4 - 95	160.4	95	63	48	31.267	1.40
26.465.04.165	SBT40 x MTA4 - 165	230.4	165	133			2.50
27.465.01.045	SBT50 x MTA1 - 45	146.8	45	2	25	12.065	3.80
27.465.01.120	SBT50 x MTA1 - 120	221.8	120	74			4.30
27.465.01.180	SBT50 x MTA1 - 180	281.8	180	132	32	17.78	5.00
27.465.02.060	SBT50 x MTA2 - 60	161.8	60	17			4.00
27.465.02.135	SBT50 x MTA2 - 135	236.8	135	89	40	23.825	4.70
27.465.02.180	SBT50 x MTA2 - 180	281.8	180	132			5.00
27.465.03.065	SBT50 x MTA3 - 65	166.8	65	22	40	23.825	3.90
27.465.03.150	SBT50 x MTA3 - 150	251.8	150	107			5.00
27.465.03.180	SBT50 x MTA3 - 180	281.8	180	132	48	31.267	5.50
27.465.04.095	SBT50 x MTA4 - 95	196.8	95	52			4.20
27.465.04.180	SBT50 x MTA4 - 180	281.8	180	132	63	44.399	5.50
27.465.05.105	SBT50 x MTA5 - 105	206.8	105	62			4.30

Option

PULL STUD



P98

MODEL NO.	TYPE	L	l ₁	l ₂	d ₁	d ₂	T	WEIGHT (KGS)
25.466.01.045	SBT30 x MTB1 - 45	93.4	45	20	25	12.065	M6 x 1.0P 1/4" - 20	0.55
25.466.02.060	SBT30 x MTB2 - 60	108.4	60	36.5	32	17.78	M10 x 1.5P 3/8" - 16	0.60
26.466.01.045	SBT40 x MTB1 - 45	110.4	45	13	25	12.065	M6 x 1.0P 1/4" - 20	1.10
26.466.02.045	SBT40 x MTB2 - 45	110.4	45	13	32	17.78	M10 x 1.5P 3/8" - 16	1.10
26.466.02.185	SBT40 x MTB2 - 185	250.4	185	148	32	17.78	M10 x 1.5P 3/8" - 16	1.86
26.466.03.075	SBT40 x MTB3 - 75	140.4	75	45	40	23.825	M12 x 1.75P or 1/2" - 12	1.30
26.466.03.090	SBT40 x MTB3 - 90	155.4	90	53				1.40
26.466.03.120	SBT40 x MTB3 - 120	185.4	120	83	48	31.267	M16 x 2.0P or 5/8" - 11	1.80
26.466.03.180	SBT40 x MTB3 - 180	245.4	180	143				2.40
26.466.04.100	SBT40 x MTB4 - 100	165.4	100	67	48	31.267	M16 x 2.0P or 5/8" - 11	1.60
26.466.04.120	SBT40 x MTB4 - 120	185.4	120	87				1.80
26.466.04.180	SBT40 x MTB4 - 180	245.4	180	147	63	44.399	M24 x 3.0P 1" - 8	2.60
27.466.01.045	SBT50 x MTB1 - 45	146.8	45	6				25
27.466.02.045	SBT50 x MTB2 - 45	146.8	45	5	32	17.78	M10 x 1.5P 3/8" - 16	3.90
27.466.03.060	SBT50 x MTB3 - 60	161.8	60	12	40	23.825	M12 x 1.75P 1/2" - 12	3.90
27.466.04.075	SBT50 x MTB4 - 75	176.8	75	32	48	31.267	M16 x 2.0P 5/8" - 11	4.20
27.466.05.120	SBT50 x MTB5 - 120	221.8	120	77	63	44.399	M24 x 3.0P 1" - 8	4.30

Option

PULL STUD



P98

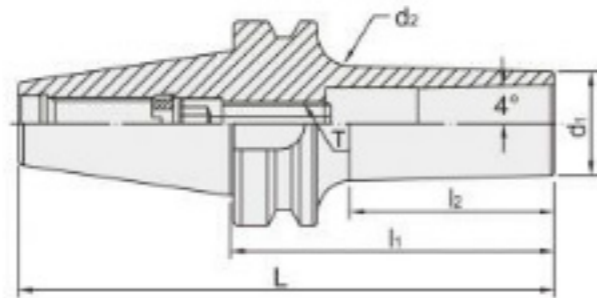


ห้างหุ้นส่วนจำกัด เลิศไพบุณ สตีล Lert Piboon Steel Ltd., Part.

SBT / SBL

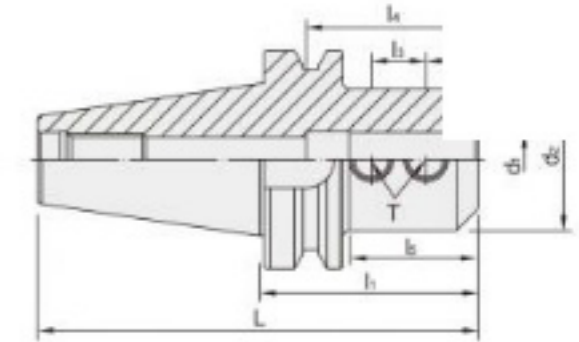


T.W. PAT. NO. M274178



- Every tool holder reaches the revolution of G2.5 25,000 rpm, with an inspection report.
- The balancing grade and revolution can be done according to customer's request but the additional charge is needed.

SBT / SLN



- Internal hole tolerance : H5(DIN-1835-B standard).
- The tolerance of tool shank diameter is within h6 with the request of revolution.
- The pre-balance can reach G6.3 8,000 rpm, without an inspection report.
- The balancing grade and revolution can be done according to customer's request but the additional charge is needed.

MODEL NO.	TYPE - l ₁	L	l ₂	d ₁	d ₂	SIZE RANGE	T	WEIGHT (KGS)
25.648.06.070	SBT30 x SBL6 - 70	118.4	38	14	18	φ 3 - φ 6	M6 x 1.0P	0.60
25.648.06.100	SBT30 x SBL6 - 100	148.4	68		21			1.25
25.648.12.070	SBT30 x SBL12 - 70	118.4	47	26	33	φ 3 - φ 12	M10 x 1.5P	1.20
25.648.12.100	SBT30 x SBL12 - 100	148.4	77		38			1.45
25.648.20.080	SBT30 x SBL20 - 80	128.4	54	34	37	φ 3 - φ 20	M12 x 1.75P	1.20
25.648.20.100	SBT30 x SBL20 - 100	148.4	76		39			1.45
26.648.06.070	SBT40 x SBL6 - 70	135.4	28	14	17	φ 3 - φ 6	M6 x 1.0P	1.20
26.648.06.100	SBT40 x SBL6 - 100	165.4	58		20			1.60
26.648.12.070	SBT40 x SBL12 - 70	135.4	33	26	31	φ 3 - φ 12	M10 x 1.5P	1.50
26.648.12.100	SBT40 x SBL12 - 100	165.4	63		38			1.70
26.648.20.070	SBT40 x SBL20 - 70	135.4	33	35	38	φ 3 - φ 20	M12 x 1.75P	1.50
26.648.20.100	SBT40 x SBL20 - 100	165.4	68		40			1.70
26.648.20.130	SBT40 x SBL20 - 130	195.4	98		43			1.74
26.648.25.080	SBT40 x SBL25 - 80	145.4	50.1	40	44.3	φ 3 - φ 25.4	M16 x 2.0P	1.70
26.648.25.100	SBT40 x SBL25 - 100	165.4	70.1		46.1			1.90
27.648.06.070	SBT50 x SBL6 - 70	171.8	17	14	15	φ 3 - φ 6	M6 x 1.0P	4.00
27.648.06.100	SBT50 x SBL6 - 100	201.8	47		19			4.10
27.648.12.070	SBT50 x SBL12 - 70	171.8	22	26	28	φ 3 - φ 12	M10 x 1.5P	4.20
27.648.12.100	SBT50 x SBL12 - 100	201.8	52		30			4.30
27.648.12.125	SBT50 x SBL12 - 125	226.8	77		32			4.40
27.648.20.070	SBT50 x SBL20 - 70	171.8	22	35	36	φ 3 - φ 20	M12 x 1.75P	4.60
27.648.20.100	SBT50 x SBL20 - 100	201.8	52		39			4.70
27.648.20.125	SBT50 x SBL20 - 125	226.8	77		41			4.22
27.648.25.070	SBT50 x SBL25 - 70	171.8	22.4	40	41.9	φ 3 - φ 25.4	M16 x 2.0P	4.80
27.648.25.100	SBT50 x SBL25 - 100	201.8	52.4		44.5			5.00

Option



MODEL NO.	TYPE d ₁ - l ₁	L	l ₂	l ₃	l ₄	l ₅	d ₂	T	WEIGHT (KGS)					
25.653.06.060	SBT30 x SLN6 - 60	108.4	18		40	33	25	M6 x 1.0P	0.55					
25.653.08.060	SBT30 x SLN8 - 60						28	M8 x 1.25P	0.60					
25.653.10.060	SBT30 x SLN10 - 60						20	44	35	35	M10 x 1.5P	0.70		
25.653.12.060	SBT30 x SLN12 - 60						22.5	49	36	42	M12 x 1.75P	0.75		
25.653.16.075	SBT30 x SLN16 - 75	123.4	24		52	53	48	M14 x 2.0P	1.05					
25.653.20.075	SBT30 x SLN20 - 75						25	54	52	M16 x 2.0P	1.10			
25.653.25.090	SBT30 x SLN25 - 90						138.4	24	25	59	68	65	M18 x 2.0P	1.70
26.653.06.050	SBT40 x SLN6 - 50	115.4	18		40	20	25	M6 x 1.0P	1.10					
26.653.06.150	SBT40 x SLN6 - 150	215.4					113	28	M8 x 1.25P	1.32				
26.653.08.050	SBT40 x SLN8 - 50	115.4					20	113	28	M8 x 1.25P	1.10			
26.653.08.150	SBT40 x SLN8 - 150	215.4					113	28	M8 x 1.25P	1.30				
26.653.10.063	SBT40 x SLN10 - 63	128.4	20		44	33.5	35	M10 x 1.5P	1.25					
26.653.10.150	SBT40 x SLN10 - 150	215.4				113	35	M10 x 1.5P	1.40					
26.653.12.063	SBT40 x SLN12 - 63	128.4	22.5		49	33.5	42	M12 x 1.75P	1.30					
26.653.12.150	SBT40 x SLN12 - 150	215.4				116	42	M12 x 1.75P	1.53					
26.653.16.063	SBT40 x SLN16 - 63	128.4	24		52	33.5	48	M14 x 2.0P	1.40					
26.653.16.150	SBT40 x SLN16 - 150	215.4				120	48	M14 x 2.0P	1.60					
26.653.18.063	SBT40 x SLN18 - 63	128.4	25		54	33.5	50	M16 x 2.0P	1.65					
26.653.20.063	SBT40 x SLN20 - 63	128.4				33	52	M16 x 2.0P	1.40					
26.653.25.100	SBT40 x SLN25 - 100	165.4	24	25	59	73	65	M18 x 2.0P	2.50					
26.653.32.100	SBT40 x SLN32 - 100						28	63	72	M20 x 2.0P	2.75			
27.653.06.063	SBT50 x SLN6 - 63	164.8	18		40	20	25	M6 x 1.0P	3.80					
27.653.08.063	SBT50 x SLN8 - 63						28	M8 x 1.25P	3.80					
27.653.10.063	SBT50 x SLN10 - 63						20	44	22	35	M10 x 1.5P	3.00		
27.653.12.080	SBT50 x SLN12 - 80						22.5	49	39	42	M12 x 1.75P	4.00		
27.653.16.080	SBT50 x SLN16 - 80	181.8	24		52	32	48	M14 x 2.0P	4.40					
27.653.20.080	SBT50 x SLN20 - 80						25	54	37	52	M16 x 2.0P	4.40		
27.653.25.100	SBT50 x SLN25 - 100	201.8	24	25	59	59	65	M18 x 2.0P	5.10					
27.653.32.105	SBT50 x SLN32 - 105	206.8					28	63	64	72		5.20		
27.653.40.115	SBT50 x SLN40 - 115	216.8	30	32	73	74	90	M20 x 2.0P	6.70					
27.653.40.120	SBT50 x SLN40 - 120													6.70
27.653.42.120	SBT50 x SLN42 - 120	221.8												6.70
27.653.50.120	SBT50 x SLN50 - 120		35	35	78	82	100	M24 x 2.0P	6.80					

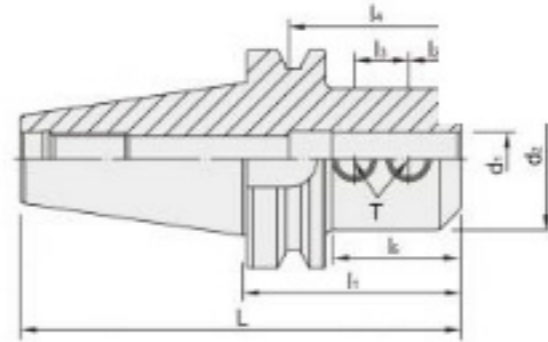
Option





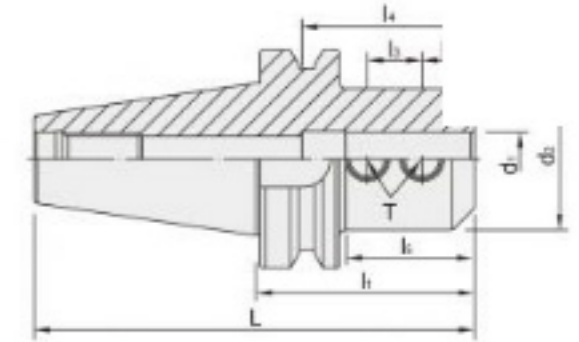
ห้างหุ้นส่วนจำกัด เลิศไพบุณ สตีล Lert Piboon Steel Ltd., Part.

SBT / SLN



- Internal hole tolerance : H5.
- The pre-balance can reach G6.3 8,000 rpm, without an inspection report.
- The balancing grade and revolution can be done according to customer's request but the additional charge is needed.

SBT / SLN



- Internal hole tolerance : H5.
- The pre-balance can reach G6.3 8,000 rpm, without an inspection report.
- The balancing grade and revolution can be done according to customer's request but the additional charge is needed.

INCHES

MODEL NO.	TYPE d ₁ - l ₁	L	l ₂	l ₃	l ₄	l ₅	d ₂	T	WEIGHT (KGS)
25.653.52.236	SBT30xSLN1/8"-2.36"	4.265	0.37	-	0.787	1.24	0.69	#6-32	0.43
25.653.53.236	SBT30xSLN3/16"-2.36"		0.562		0.984	1.102	0.69	#8-32	0.44
25.653.54.236	SBT30xSLN1/4"-2.36"		0.629		1.378	1.181	0.78	1/4"-28	0.45
25.653.55.236	SBT30xSLN5/16"-2.36"		0.6		0.88	5/16"-24	0.47		
25.653.56.236	SBT30xSLN3/8"-2.36"		0.781		1	3/8"-24	0.48		
25.653.57.236	SBT30xSLN7/16"-2.36"		0.812		1.13	7/16"-20	0.51		
25.653.58.236	SBT30xSLN1/2"-2.36"		0.875		1.25	1.378	1.25	0.54	
25.653.61.236	SBT30xSLN5/8"-2.36"		0.937		1.5	1.417	1.5	1/2"-20	0.61
25.653.61.300	SBT30xSLN5/8"-3"	4.906	2.094	2.094	2.094	0.73			
25.653.64.236	SBT30xSLN3/4"-2.36"	4.265	1	1.929	1.494	1.75	5/8"-18	0.65	
25.653.68.400	SBT30xSLN1"-4"	5.906	1.125	1	2.559	2.074	2	3/4"-16	1.15
26.653.52.250	SBT40xSLN1/8"-2.5"	5.075	0.37	-	0.787	1.24	0.69	#6-32	1.01
26.653.52.400	SBT40xSLN1/8"-4"	6.575	0.37		0.41	#6-32	1.06		
26.653.53.250	SBT40xSLN3/16"-2.5"	5.075	0.562		0.984	1.24	0.69	#8-32	1.01
26.653.53.400	SBT40xSLN3/16"-4"	6.575	0.562		0.984	1.24	0.69	#8-32	1.02
26.653.54.250	SBT40xSLN1/4"-2.5"	5.075	0.63		1.122	0.78	1/4"-28	1.10	
26.653.54.400	SBT40xSLN1/4"-4"	6.575			2.622	1.04			
26.653.55.250	SBT40xSLN5/16"-2.5"	5.075	0.75		1.043	0.88	5/16"-24	1.12	
26.653.56.250	SBT40xSLN3/8"-2.5"	5.075			1.24	1.25	3/8"-24	1.15	
26.653.56.400	SBT40xSLN3/8"-4"	6.575	0.75	1.535	2.74	1	1.07		
26.653.57.250	SBT40xSLN7/16"-2.5"	5.075	0.812	1.24	1.13	7/16"-20	1.10		
26.653.58.250	SBT40xSLN1/2"-2.5"	5.075	0.875	1.732	1.319	1.25	1.30		
26.653.58.400	SBT40xSLN1/2"-4"	6.575	0.875	2.74	1.25	1.18			
26.653.61.250	SBT40xSLN5/8"-2.5"	5.075	0.94	1.85	1.319	1.5	1.45		
26.653.61.400	SBT40xSLN5/8"-4"	6.575	0.937	2.74	1.5	1.23			
26.653.64.250	SBT40xSLN3/4"-2.5"	5.075	1	1.319	1.75	5/8"-18	1.37		
26.653.64.300	SBT40xSLN3/4"-3"	5.575		1.819			1.65		
26.653.64.400	SBT40xSLN3/4"-4"	6.575		2.819			1.95		
26.653.66.500	SBT40xSLN7/8"-5"	7.575	1.06	0.875	2.362	3.74	1.88	1.59	
26.653.68.356	SBT40xSLN1"-3.563"	6.137	1.046	1	2.559	2.421	2	1.77	
26.653.68.500	SBT40xSLN1"-5"	7.575				3.858	1.75	1.93	
26.653.72.356	SBT40xSLN1-1/4"-3.563"	6.137	1.125	1	2.559	2.539	2.5	1.74	
26.653.77.356	SBT40xSLN1-1/2"-3.563"							3.62	

Option

PULL STUD



P98

INCHES

MODEL NO.	TYPE d ₁ - l ₁	L	l ₂	l ₃	l ₄	l ₅	d ₂	T	WEIGHT (KGS)
27.653.54.300	SBT50xSLN1/4"-3"	7	0.63	-	1.378	1.11	0.78	1/4"-28	3.62
27.653.56.275	SBT50xSLN3/8"-2.75"	6.758	0.75		1.535	1.057	1	3/8"-24	3.61
27.653.58.300	SBT50xSLN1/2"-3"	7	0.875		1.732	1.25	7/16"-20	3.68	
27.653.61.300	SBT50xSLN5/8"-3"		0.94		1.85	1.386	1.5	1/2"-20	3.77
27.653.64.300	SBT50xSLN3/4"-3"	8.508	1.12	1	1.929	1.75	5/8"-18	3.84	
27.653.68.450	SBT50xSLN1"-4.5"				2.886	2	4.27		
27.653.68.600	SBT50xSLN1"-6"	10	1.125	1	2.559	4.11	3/4"-16	4.78	
27.653.72.450	SBT50xSLN1-1/4"-4.5"	8.508	1.12			2.886		2.5	4.65
27.653.77.400	SBT50xSLN1-1/2"-4"	8	1.12	2.504	2.5	4.17			

Option

PULL STUD

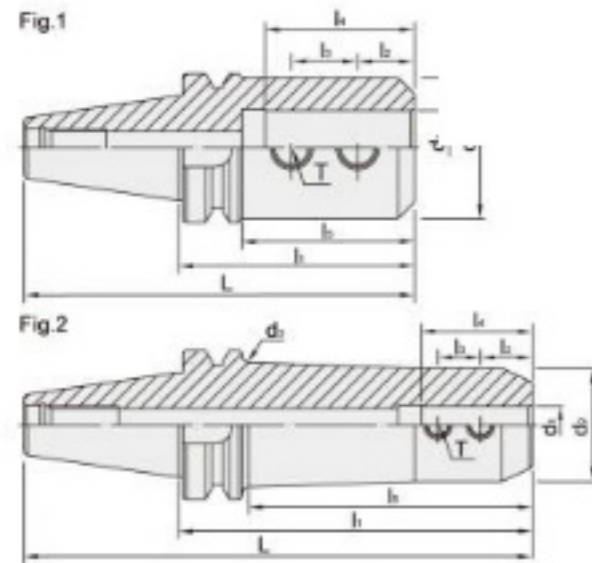


P98



ห้างหุ้นส่วนจำกัด เลิศไพบุณ สตีล Lert Piboon Steel Ltd., Part.

SBT / SLN



- The pre-balance can reach G6.3 8,000 rpm, without an inspection report.
- The balancing grade and revolution can be done according to customer's request but the additional charge is needed.

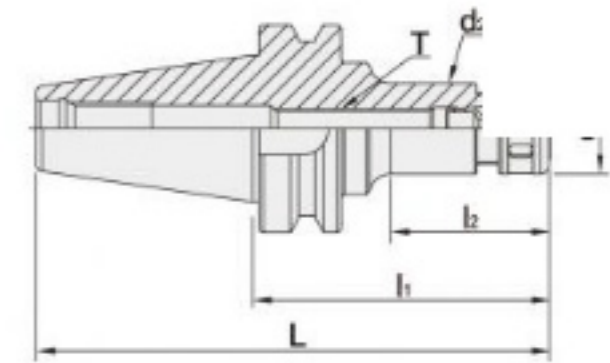
- Internal tolerance is H5.
- With two side-lock screws.
- For center coolant (DIN 69871-AD).

MODEL NO.	TYPE d ₁ - l ₁	L	l ₂	l ₃	l ₄	l ₅	d ₂	d ₃	T	Fig	WEIGHT (KGS)		
26.654.06.075	SBT40 x SLN6 - 75JIS	140.4	12	10	35	45	25	-	M6 x 1.0P	1	1.20		
26.654.06.150	SBT40 x SLN6 - 150JIS	215.4				113	30			2	1.50		
26.654.08.075	SBT40 x SLN8 - 75JIS	140.4	14	12	35	45	28	-	M8 x 1.25P	1	1.20		
26.654.08.150	SBT40 x SLN8 - 150JIS	215.4				113	33			2	1.50		
26.654.10.075	SBT40 x SLN10 - 75JIS	140.4	15	14	39	45	35	-	M10 x 1.5P	1	1.40		
26.654.10.150	SBT40 x SLN10 - 150JIS	215.4				118	40				2	1.50	
26.654.12.075	SBT40 x SLN12 - 75JIS	140.4	20	16	44	45	42	-	M10 x 1.5P	1	1.50		
26.654.12.150	SBT40 x SLN12 - 150JIS	215.4				118	47				2	1.70	
26.654.16.075	SBT40 x SLN16 - 75JIS	140.4	22	18	47	45	48	-	M10 x 1.5P	1	1.60		
26.654.16.150	SBT40 x SLN16 - 150JIS	215.4				120	53				2	1.70	
26.654.20.090	SBT40 x SLN20 - 90JIS	155.4	25	20	55	60	50	-	M12 x 1.75P	1	1.75		
26.654.20.150	SBT40 x SLN20 - 150JIS	215.4				120	52	57			2	1.80	
26.654.25.090	SBT40 x SLN25 - 90JIS	155.4	24	25	58	60	50	-	M12 x 1.75P	1	1.70		
26.654.32.100	SBT40 x SLN32 - 100JIS	165.4				63	73	60			2	2.10	
27.654.06.075	SBT50 x SLN6 - 75JIS	176.8	12	10	35	31	25	-	M6 x 1.0P	1	3.90		
27.654.08.075	SBT50 x SLN8 - 75JIS		14	12		39	27	28	-		M8 x 1.25P	3.90	
27.654.10.075	SBT50 x SLN10 - 75JIS		15	14	39		32	35	-		M10 x 1.5P	3.90	
27.654.12.090	SBT50 x SLN12 - 90JIS	191.8	20	16	44	42	42	-	M10 x 1.5P	1	3.90		
27.654.12.165	SBT50 x SLN12 - 165JIS	266.8				124	42	47			2	5.00	
27.654.16.090	SBT50 x SLN16 - 90JIS	191.8	22	18	47	42	48	-	M10 x 1.5P	1	3.90		
27.654.16.165	SBT50 x SLN16 - 165JIS	266.8				117	48	53			2	5.00	
27.654.20.090	SBT50 x SLN20 - 90JIS	191.8	25	20	55	49	50	-	M12 x 1.75P	1	4.50		
27.654.20.165	SBT50 x SLN20 - 165JIS	266.8				117	50	57			2	6.00	
27.654.20.210	SBT50 x SLN20 - 210JIS	311.8			162	50	57			7.00			
27.654.25.100	SBT50 x SLN25 - 100JIS	201.8	24	25	68	59	-	-	M12 x 1.75P	1	4.58		
27.654.25.165	SBT50 x SLN25 - 165JIS	266.8				117	50	57				2	5.50
27.654.25.210	SBT50 x SLN25 - 210JIS	311.8				169	50	60				2	6.00
27.654.32.250	SBT50 x SLN25 - 250JIS	351.8			202	50	60			7.00			
27.654.32.105	SBT50 x SLN32 - 105JIS	206.8	28	73	73	64	-	-	M16 x 2.0P	1	4.89		
27.654.32.165	SBT50 x SLN32 - 165JIS	266.8				117	60	65				2	6.22
27.654.32.210	SBT50 x SLN32 - 210JIS	311.8				162	60	60				2	6.34
27.654.32.250	SBT50 x SLN32 - 250JIS	351.8				207	50	60				2	7.50
27.654.32.300	SBT50 x SLN32 - 300JIS	401.8			257	60	65			8.00			

Option

PULL STUD P.J-2	LOCK SCREW P.J-75
--------------------	----------------------

SBT / SKS



- Runout is within 5μ (4D length).
- SKS Collet taper : 4°, increasing holding power, concentricity and rigidity.
- Every tool holder reaches revolution of G2.5 25,000 rpm, with an inspection report.
- The balancing grade and revolution can be done according to customer's request but the additional charge is needed.

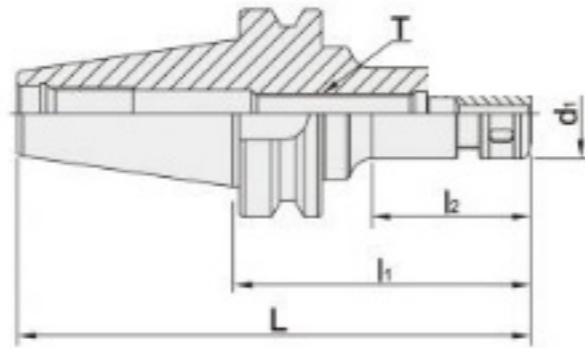
MODEL NO.	TYPE - l ₁	L	l ₂	d ₁	d ₂	T	SIZE RANGE	WEIGHT (KGS)
25.658.06.045	SBT30 x SKS6 - 45	93.4	22	18	18	M8 x 1.25P	φ 3 ~ φ 6	0.8
25.658.06.060	SBT30 x SKS6 - 60	108.4	33					0.9
25.658.10.045	SBT30 x SKS10 - 45	93.4	22	30	27.6	M12 x 1.75P	φ 3 ~ φ 10	0.8
25.658.10.060	SBT30 x SKS10 - 60	108.4	33					0.9
25.658.10.090	SBT30 x SKS10 - 90	138.4	63	35	33	M12 x 1.75P	φ 3 ~ φ 13	1.0
25.658.13.060	SBT30 x SKS13 - 60	108.4	35					1.1
25.658.13.090	SBT30 x SKS13 - 90	138.4	65	40	40	M18 x 1.5P	φ 3 ~ φ 16	1.1
25.658.13.120	SBT30 x SKS13 - 120	168.4	95					1.2
25.658.16.060	SBT30 x SKS16 - 60	108.4	36	48.5	48.5	M12 x 1.75P	φ 3 ~ φ 20	1.2
25.658.16.090	SBT30 x SKS16 - 90	138.4	66					1.2
25.658.20.060	SBT30 x SKS20 - 60	108.4	37	48.5	48.5	M12 x 1.75P	φ 3 ~ φ 20	1.2
25.658.20.090	SBT30 x SKS20 - 90	138.4	67					1.2
26.658.06.090	SBT40 x SKS6 - 90	155.4	44	18	18	M8 x 1.25P	φ 3 ~ φ 6	1.2
26.658.06.120	SBT40 x SKS6 - 120	185.4	74					1.4
26.658.10.090	SBT40 x SKS10 - 90	155.4	45	30	27.6	M12 x 1.75P	φ 3 ~ φ 10	1.5
26.658.10.120	SBT40 x SKS10 - 120	185.4	74					1.6
26.658.13.060	SBT40 x SKS13 - 60	125.4	30	35	33	M12 x 1.75P	φ 3 ~ φ 13	1.2
26.658.13.090	SBT40 x SKS13 - 90	155.4	60					1.4
26.658.13.120	SBT40 x SKS13 - 120	185.4	90	40	40	M18 x 1.5P	φ 3 ~ φ 16	1.6
26.658.16.090	SBT40 x SKS16 - 90	155.4	58					1.6
26.658.16.120	SBT40 x SKS16 - 120	185.4	90	48.5	48.5	M22 x 1.5P	φ 3 ~ φ 20	1.7
26.658.20.060	SBT40 x SKS20 - 60	125.4	32					1.3
26.658.20.090	SBT40 x SKS20 - 90	155.4	60	55.1	55	M28 x 2.0P	φ 3 ~ φ 25.4	1.6
26.658.20.120	SBT40 x SKS20 - 120	185.4	88					2.0
26.658.25.090	SBT40 x SKS25 - 90	155.4	61	55.1	55	M28 x 2.0P	φ 3 ~ φ 25.4	1.7
26.658.25.120	SBT40 x SKS25 - 120	185.4	91					1.8

COLLET P105	NUT P105	SPANNER P106	PULL STUD P98	PRESET SCREW P107
----------------	-------------	-----------------	------------------	----------------------



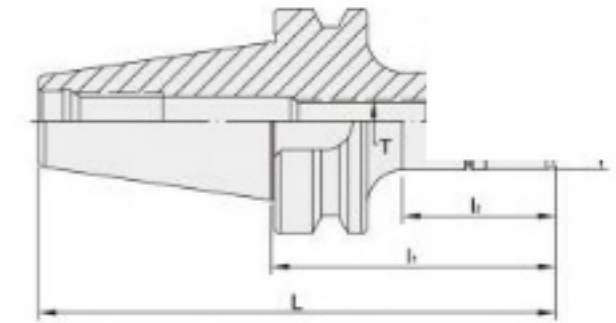
ห้างหุ้นส่วนจำกัด เลิศไพบุณ สตีล Lert Piboon Steel Ltd., Part.

SBT / SKS



- Runout is within 5 μ (4D length).
- SKS Collet taper : 4°, increasing holding power, concentricity and rigidity.
- Every tool holder reaches revolution of G2.5 25,000 rpm, with an inspection report.
- The balancing grade and revolution can be done according to customer's request but the additional charge is needed.

SBT / SK3



- The length of SK3 clamping nut is longer and the front thread of SK3 collet chuck is designed with an O-ring, which prevents coolant fluid and metal chips from getting into the tool holder.
- Applicable collet: SYIC-18302~SYIC-18310 SKS collet.
- SK3 is exchangeable with other brands of SKS collets on the market.
- Standard revolution: G2.5 25,000rpm, with an inspection report.

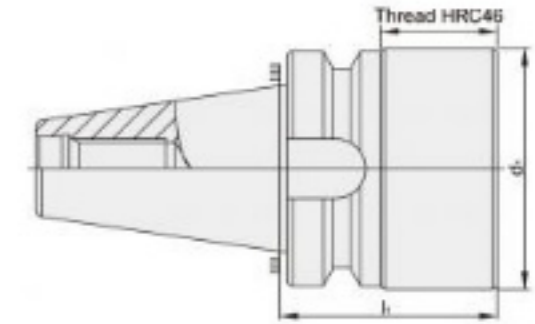
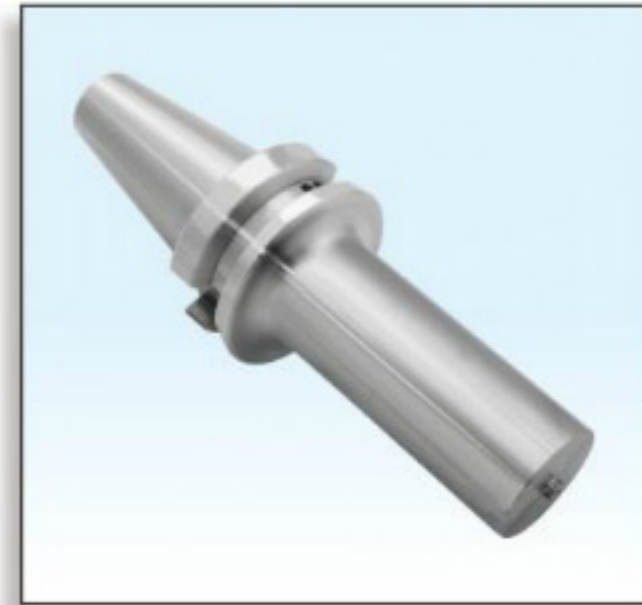
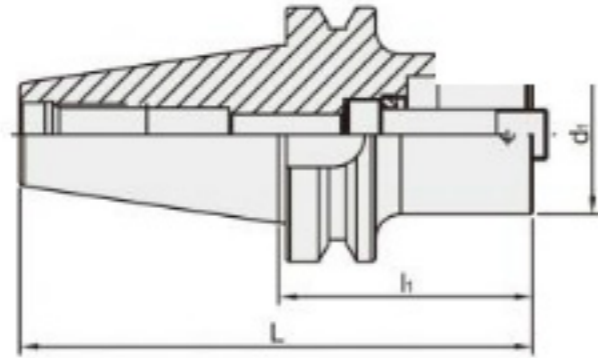
MODEL NO.	TYPE - l ₁	L	l ₂	d ₁	d ₂	T	SIZE RANGE	WEIGHT (KGS)
27.658.06.090	SBT50 x SKS6 - 90	191.8	42	18	18	M8 x 1.25P	ϕ 3 - ϕ 6	4.0
27.658.06.120	SBT50 x SKS6 - 120	221.8	59					4.2
27.658.10.105	SBT50 x SKS10 - 105	206.8	57	30	27.6	M12 x 1.75P	ϕ 3 - ϕ 10	4.5
27.658.10.150	SBT50 x SKS10 - 150	251.8	94					4.6
27.658.10.165	SBT50 x SKS10 - 165	266.8	108					4.3
27.658.10.200	SBT50 x SKS10 - 200	301.8	143					5.2
27.658.10.250	SBT50 x SKS10 - 250	351.8	193					5.6
27.658.13.105	SBT50 x SKS13 - 105	206.8	62					35
27.658.13.135	SBT50 x SKS13 - 135	236.8	92	4.7				
27.658.13.165	SBT50 x SKS13 - 165	266.8	108	4.9				
27.658.13.200	SBT50 x SKS13 - 200	301.8	143	5.2				
27.658.13.250	SBT50 x SKS13 - 250	351.8	193	5.7				
27.658.16.105	SBT50 x SKS16 - 105	221.8	57	40	40	M18 x 1.5P	ϕ 3 - ϕ 16	
27.658.16.150	SBT50 x SKS16 - 150	251.8	98					4.7
27.658.16.165	SBT50 x SKS16 - 165	266.8	108					4.5
27.658.16.200	SBT50 x SKS16 - 200	301.8	143					5.5
27.658.16.250	SBT50 x SKS16 - 250	351.8	193					6.0
27.658.20.105	SBT50 x SKS20 - 105	206.8	62					48.5
27.658.20.135	SBT50 x SKS20 - 135	236.8	92	4.6				
27.658.20.165	SBT50 x SKS20 - 165	266.8	122	5.0				
27.658.20.200	SBT50 x SKS20 - 200	301.8	157	5.4				
27.658.20.250	SBT50 x SKS20 - 250	351.8	207	6.1				
27.658.25.105	SBT50 x SKS25 - 105	206.8	62	55.1	55	M28 x 2.0P	ϕ 3 - ϕ 25.4	
27.658.25.150	SBT50 x SKS25 - 150	251.8	107					4.8
27.658.25.200	SBT50 x SKS25 - 200	301.8	157					6.0
27.658.25.250	SBT50 x SKS25 - 250	351.8	207					6.7

MODEL NO.	TYPE - l ₁	L	l ₁	l ₂	d ₁	d ₂	T	SIZE RANGE	WEIGHT (KGS)
25.763.06.060	SBT30 x SK306 - 60	108.4	60	33	18	20	M8 x 1.25P	ϕ 3 - ϕ 6	0.9
25.763.06.080	SBT30 x SK306 - 80	128.4	80	53					1.0
25.763.10.060	SBT30 x SK310 - 60	108.4	60	35	27	27.5	M12 x 1.75P	ϕ 3 - ϕ 10	0.9
25.763.10.080	SBT30 x SK310 - 80	128.4	80	57					1.0
25.763.13.060	SBT30 x SK313 - 60	108.4	60	35	34	34.4	M12 x 1.75P	ϕ 3 - ϕ 13	1.1
25.763.13.080	SBT30 x SK313 - 80	128.4	80	57					1.0
25.763.16.060	SBT30 x SK316 - 60	108.4	60	39	40	40.5	M18 x 1.5P	ϕ 3 - ϕ 16	1.2
25.763.16.080	SBT30 x SK316 - 80	128.4	80	57					1.3
26.763.06.080	SBT40 x SK306 - 80	145.4	80	43	18	20	M8 x 1.25P	ϕ 3 - ϕ 6	1.1
26.763.06.100	SBT40 x SK306 - 100	165.4	100	63					1.3
26.763.06.120	SBT40 x SK306 - 120	185.4	120	83	27	27.5	M12 x 1.75P	ϕ 3 - ϕ 10	1.4
26.763.10.080	SBT40 x SK310 - 80	145.4	80	43					1.1
26.763.10.100	SBT40 x SK310 - 100	165.4	100	63	34	34.4	M12 x 1.75P	ϕ 3 - ϕ 13	1.3
26.763.10.120	SBT40 x SK310 - 120	185.4	120	83					1.4
26.763.13.080	SBT40 x SK313 - 80	145.4	80	50	40	40.5	M18 x 1.5P	ϕ 3 - ϕ 16	1.1
26.763.13.100	SBT40 x SK313 - 100	165.4	100	70					1.3
26.763.13.120	SBT40 x SK313 - 120	185.4	120	90	27	27.5	M12 x 1.75P	ϕ 3 - ϕ 10	1.4
26.763.16.080	SBT40 x SK316 - 80	145.4	80	48					1.1
26.763.16.100	SBT40 x SK316 - 100	165.4	100	68	40	40.5	M18 x 1.5P	ϕ 3 - ϕ 16	1.3
26.763.16.120	SBT40 x SK316 - 120	185.4	120	88					1.4
27.763.06.080	SBT50 x SK306 - 80	181.8	80	34	18	20	M8 x 1.25P	ϕ 3 - ϕ 6	4.0
27.763.06.100	SBT50 x SK306 - 100	201.8	100	54					4.1
27.763.06.120	SBT50 x SK306 - 120	221.8	120	74	27	27.5	M12 x 1.75P	ϕ 3 - ϕ 10	4.2
27.763.10.080	SBT50 x SK310 - 80	181.8	80	39					4.1
27.763.10.100	SBT50 x SK310 - 100	201.8	100	59	34	34.4	M12 x 1.75P	ϕ 3 - ϕ 13	4.2
27.763.10.120	SBT50 x SK310 - 120	221.8	120	79					4.3
27.763.13.080	SBT50 x SK313 - 80	181.8	80	39	40	40.5	M18 x 1.5P	ϕ 3 - ϕ 16	4.2
27.763.13.100	SBT50 x SK313 - 100	201.8	100	59					4.3
27.763.13.120	SBT50 x SK313 - 120	221.8	120	79	27	27.5	M12 x 1.75P	ϕ 3 - ϕ 10	4.4
27.763.16.080	SBT50 x SK316 - 80	181.8	80	37					4.2
27.763.16.100	SBT50 x SK316 - 100	201.8	100	57	40	40.5	M18 x 1.5P	ϕ 3 - ϕ 16	4.3
27.763.16.120	SBT50 x SK316 - 120	221.8	120	77					4.4





SBT



MODEL NO.	TYPE	PSC NO.	L	h	d ₁
26.501.32.030	SBT40 x PSC32 - 30	PSC 32	95.4	30	32
26.501.40.030	SBT40 x PSC40 - 30	PSC 40			40
26.501.50.030	SBT40 x PSC50 - 30	PSC 50			50
26.501.63.075	SBT40 x PSC63 - 75	PSC 63	140.4	75	63
27.501.32.040	SBT50 x PSC32 - 40	PSC 32	141.8	40	32
27.501.40.040	SBT50 x PSC40 - 40	PSC 40			40
27.501.50.040	SBT50 x PSC50 - 40	PSC 50			50
27.501.63.100	SBT50 x PSC63 - 100	PSC 63	201.8	100	63
27.501.63.150	SBT50 x PSC63 - 150		251.8	150	
27.501.63.200	SBT50 x PSC63 - 200		301.8	200	
27.501.63.250	SBT50 x PSC63 - 250		351.8	250	
27.501.63.300	SBT50 x PSC63 - 300		401.8	300	

MODEL NO.	TYPE	d ₁	h
25.001.48.300	SBT30 x φ 48-3°	48	76.2
25.001.48.400	SBT30 x φ 48-4°		101.6
25.001.48.500	SBT30 x φ 48-5°		127

